



Filippi

SPARE PARTS list

Complete accessories sheets for Filippi's racing, adaptive and coastal boats

updated to 02/04/2020

INNOVATION MADE FOR WORLD CLASS PERFORMANCE



INDEX

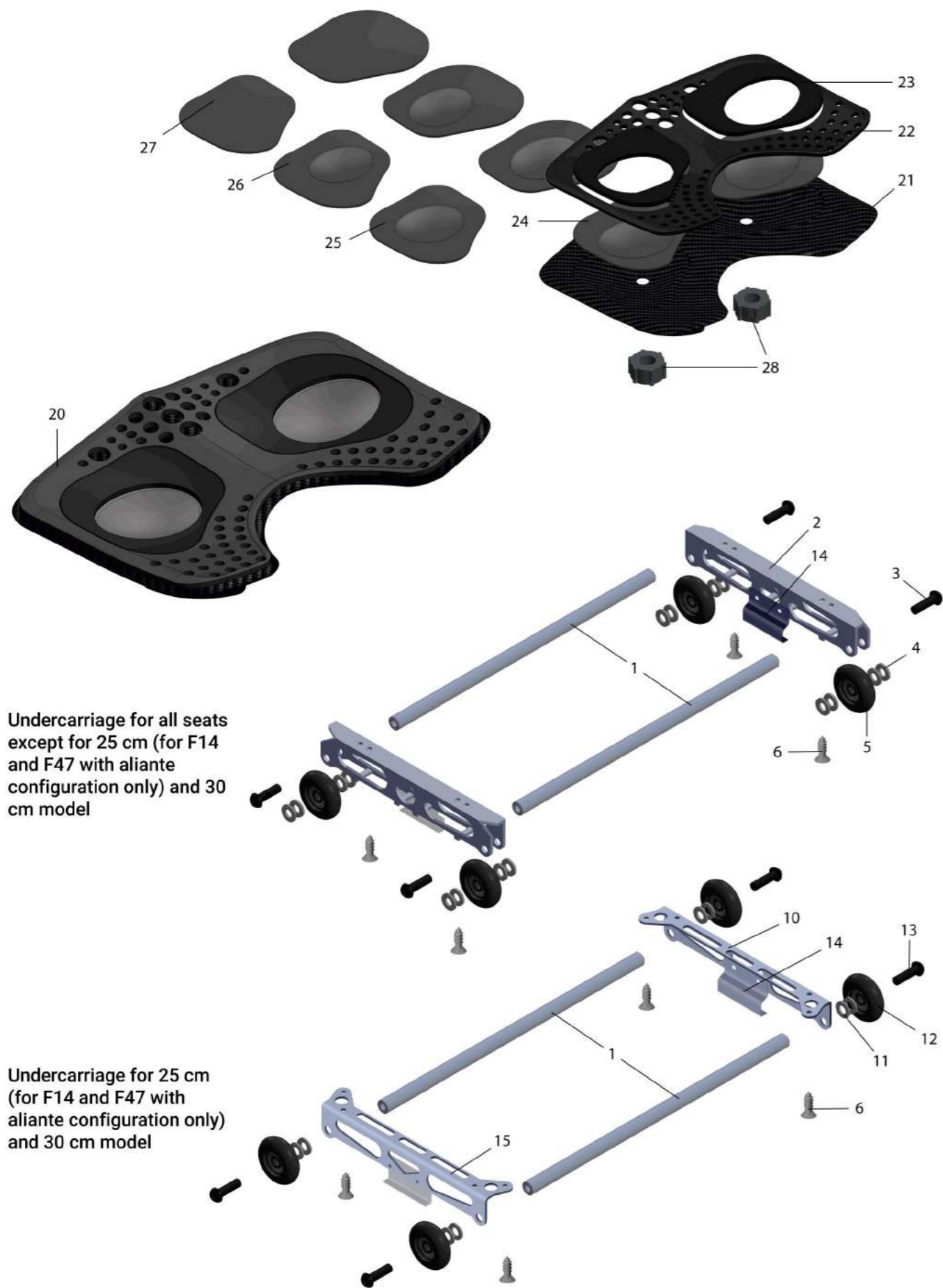
4 IN 1 SINGLE ACTION SEAT	4
4 IN 1 ADJUSTABLE	6
SINGLE ACTION SEAT	6
TRADITIONAL SINGLE ACTION SEAT	8
RAILS	10
FOOTSTRETCHERS AND PLATES	12
<i>FOOTSTRETCHERS (after 2017)</i>	12
<i>FOOTSTRETCHERS (before 2017)</i>	14
PLATES	14
ADAPTIVE	14
CARBON KIT	15
MAS SHOES	16
FINS AND RUDDERS	18
SWEEP ALUMINIUM WING RIGGER	20
SCULL ALUMINIUM WING RIGGER	22
SCULL ALUMINIUM	24
ALIANTE WING RIGGER	24
SWEEP CARBON	26
ALIANTE WING RIGGER	26
SCULL CARBON	28
ALIANTE WING RIGGER	28
SWEEP MONOLITHIC CARBON WING RIGGER	30
SCULL MONOLITHIC CARBON WING RIGGER	32
4 STAY SWEEP ALUMINIUM RIGGER	34
3 STAY SCULL ALUMINIUM RIGGER	36
SWEEP CARBON WING RIGGER (360° pitch)	38
SCULL CARBON WING RIGGER (360° pitch)	40
CARBON TUBULAR	42
SWEEP / SCULL RIGGER	42
BACKSTAY	44
<i>BACKSTAY FOR WING RIGGER</i>	45
<i>TRADITIONAL ALUMINIUM BACKSTAY</i>	45
<i>CARBON BACKSTAY</i>	47
<i>ADJUSTABLE BACKSTAY</i>	47
OTHER ACCESSORIES	48
<i>FOLDING STAND</i>	48

OARS	48
WATER BOTTLES	50
BOAT COVERS	50
OTHER ACCESSORIES	51
<i>NIELSEN-KELLERMAN MERCHANDISE</i>	53
SUNGLASSES	54

The Spare Parts list is subject to continuous update. We kindly ask you to rely always and only to the online version available through the link received from "info@filippiboats.it".

Please provide all the time the serial no. of the boat and the relevant FISA position when ordering

4 IN 1 SINGLE ACTION SEAT



Undercarriage for all seats except for 25 cm (for F14 and F47 with aliante configuration only) and 30 cm model

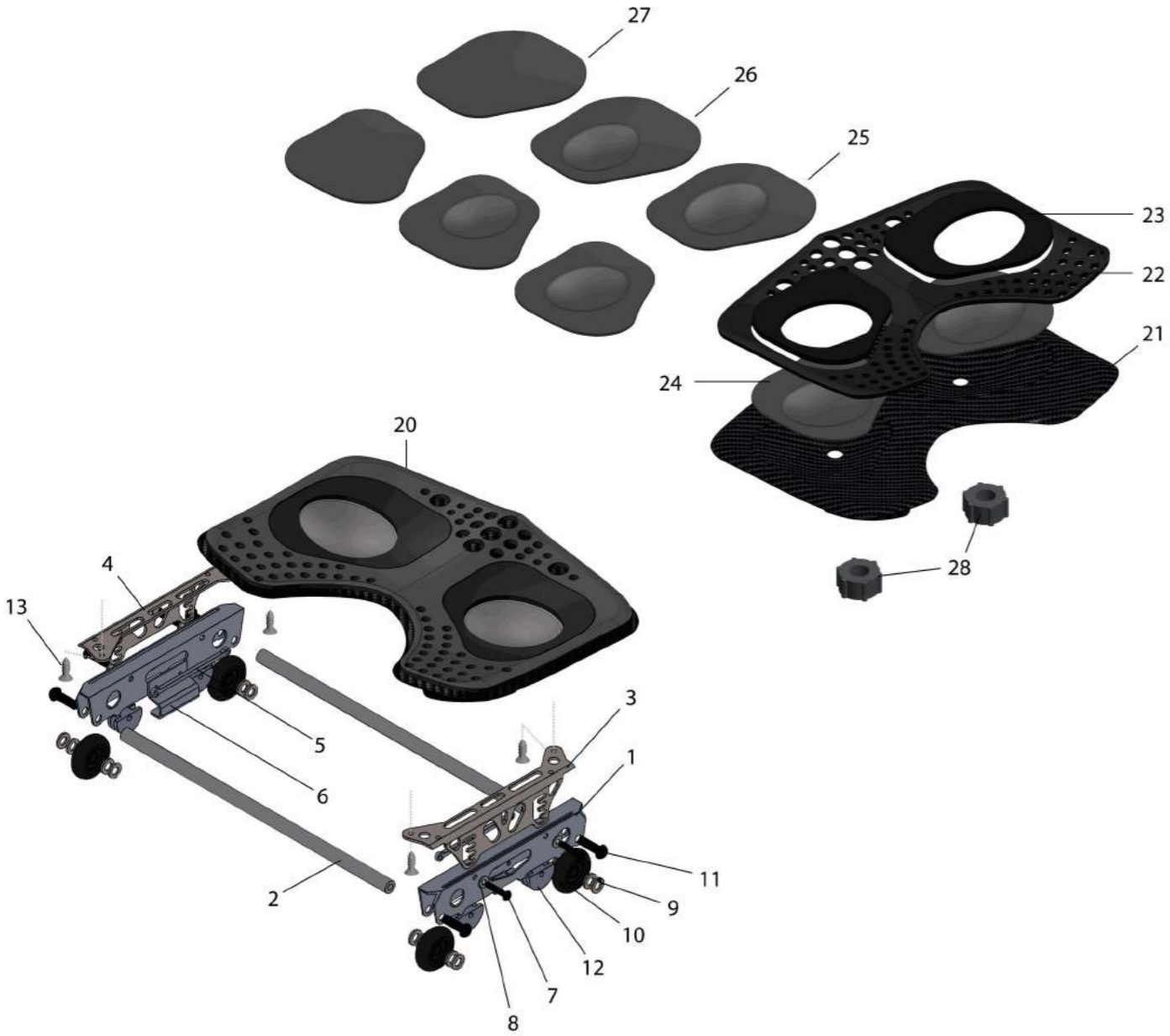
Undercarriage for 25 cm (for F14 and F47 with aliante configuration only) and 30 cm model

N°	Code	Description
	VACAF1023417	4 in 1 fixed-wheeled undercarriage with 23 medium insert
	VACAF1025418	4 in 1 fixed-wheeled undercarriage with 25 medium insert
	VACAF1028419	4 in 1 fixed-wheeled undercarriage with 28 medium insert
	VACAF1030420	4 in 1 fixed-wheeled undercarriage with 30 medium insert
	VACAF1030CR	4in1 action seat fixed wheels 30cm for Coastal
	VACAF1217+1	*fixed wheel chassis 23-25-28 cm, 1 cm higher
	VACAF1217+2	*fixed wheel chassis 23-25-28 cm, 2 cm higher
	VACAF1223	fixed-wheel chassis complete 23cm
	VACAF1225	fixed-wheel chassis complete 25cm
	VACAF1228	fixed-wheel chassis complete 28cm
	VACAF1230	fixed-wheel chassis complete 30cm
1	VACAXX30	Undercarriage spacer 30cm
1	VACAXX25	Undercarriage spacer 25cm
1	VACAXX28	Undercarriage spacer 28cm
1	VACAXX23	Undercarriage spacer 23cm
2	VACAX1200	Standard U-profile
2	VACAX1220	U profile x fixed-wheel undercarriage + 2 cm high
2	VACAX1210	U profile x fixed-wheel undercarriage + 1 cm high
3 ; 13	AVV6030A	Wheel bolts (M6x30)
4 ; 11	VABXXA006A	Washer 6
5 ; 12	VACAF1400	Nylon wheel with bearing for undercarriage
6	AVV3595P	Self-fastening crosshead screw 3.5 x 9.5 TP
10	VACAX120030D	Right anodized steel angle bar for fixed-wheel undercarriage 30 cm
14	VACAXACHAS	Aluminum clamp for chassis
15	VACAX120030S	Left anodized steel angle bar for fixed-wheel undercarriage 30 cm
21	VACASED28	28cm carbon seat for undercarriage 4 in 1
21	VACASED30	30cm carbon seat for undercarriage 4 in 1
21	VACASED25	25cm carbon seat for undercarriage 4 in 1
21	VACASED23	23cm carbon seat for undercarriage 4 in 1
22	VACAX7028BIS	Seat top for undercarriage 28/30 cm 4 in 1
22	VACAX7023BIS	Seat top for undercarriage 23/25 cm 4 in 1
23	VACAX7017S	Adhesive thickness for small insert
23	VACAX7017L	Adhesive thickness for large insert
23	VACAX7017M	Adhesive thickness for medium insert
23	VACAX7017F	Adhesive thickness for flat insert
24	VACAS14425M	Pair of medium inserts for undercarriage 4 in 1
25	VACAS14425L	Pair of large inserts for undercarriage 4 in 1
26	VACAS14425S	Pair of small inserts for undercarriage 4 in 1
27	VACAS14425	Pair of flat inserts for undercarriage 4 in 1
28	VACASCLIP	Pair of insert clips for undercarriage 4 in 1

*specify wheelbase

! ALWAYS PROVIDE THE SERIAL NUMBER OR TYPE OF BOAT PROVIDE ONLY THE CODE OF THE SPARE PARTS YOU NEED

4 IN 1 ADJUSTABLE SINGLE ACTION SEAT



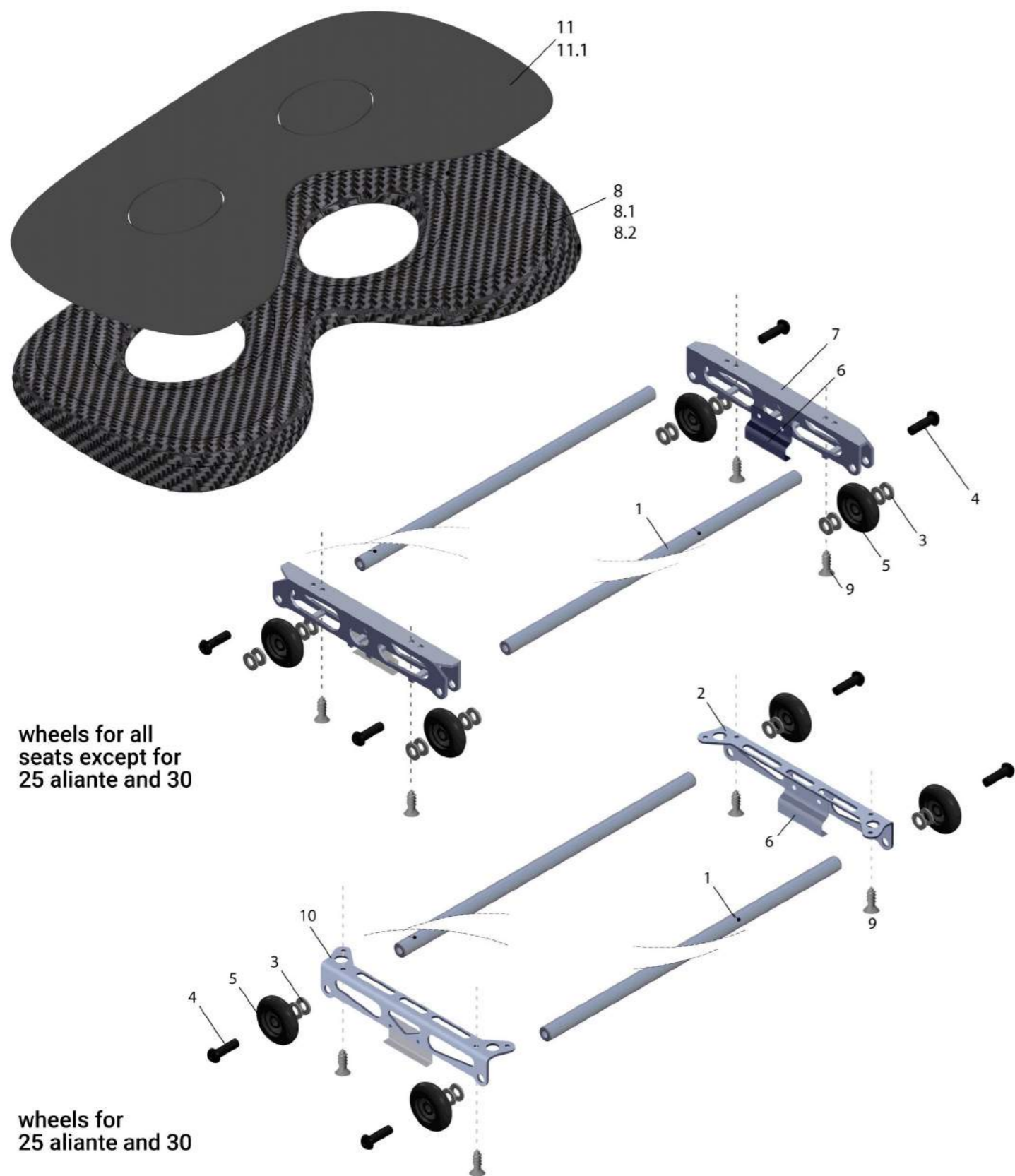
No.	Code	Description
	VACAF1023421	Adjustable wheel 4 in 1 undercarriage 23 cm medium insert
	VACAF1025422	4 in 1 adjustable-wheel undercarriage 25cm medium insert
	VACAF1028423	4 in 1 adjustable-wheel undercarriage 28cm medium insert
	VACAF1030424	4 in 1 adjustable-wheel undercarriage 30 cm medium insert

	VACAF23R	Chassis for adjustable undercarriage 23 cm
	VACAF25R	Chassis for adjustable undercarriage 25 cm
	VACAF28R	Chassis for adjustable undercarriage 28 cm
	VACAF30R	Chassis for adjustable undercarriage 30 cm

N°	Code	Description
1	VACAX1200R	U profile for adjustable wheel undercarriage
2	VACAXX23	Undercarriage spacer 23cm
2	VACAXX25	Undercarriage spacer 25cm
2	VACAXX28	Undercarriage spacer 28cm
2	VACAXX30	Undercarriage spacer 30cm
3	VACAX1200R23D	anodized steel angle bar for adjustable undercarriage 23cm Right
3	VACAX1200R25D	anodized steel angle bar for adjustable undercarriage 25cm Right
3	VACAX1200R28D	anodized steel angle bar for adjustable undercarriage 28cm Right
3	VACAX1200R30D	anodized steel angle bar for adjustable undercarriage 30cm Right
4	VACAX1200R23S	anodized steel angle bar for adjustable undercarriage 23cm Left
4	VACAX1200R25S	anodized steel angle bar for adjustable undercarriage 25cm Left
4	VACAX1200R28S	anodized steel angle bar for adjustable undercarriage 28cm Left
4	VACAX1200R30S	anodized steel angle bar for adjustable undercarriage 30cm Left
5	VACAXXR4	M8 nut for adjustable undercarriage
6	VACAXACHAS	Aluminum clamp for chassis
7	VACAXXRM4	M4x20 crosshead screw for adjustable chassis
8	VABXXA004A	Washer 4
9	VABXXA006A	Washer 6
10	VACAF1400	Nylon wheel with bearing for undercarriage
11	AVV6030A	Wheel bolts (M6x30)
12	VACAXXRSP	PVC thickness for adjustable undercarriage
13	AVV3595P	Self-fastening crosshead screw 3.5 x 9.5 TP
21	VACASED23	23cm carbon seat for undercarriage 4 in 1
21	VACASED25	25cm carbon seat for undercarriage 4 in 1
21	VACASED28	28cm carbon seat for undercarriage 4 in 1
21	VACASED30	30cm carbon seat for undercarriage 4 in 1
22	VACAX7023BIS	Seat top for undercarriage 23/25 cm 4 in 1
22	VACAX7028BIS	Seat top for undercarriage 28/30 cm 4 in 1
23	VACAX7017F	Adhesive thickness for flat insert
23	VACAX7017L	Adhesive thickness for large insert
23	VACAX7017M	Adhesive thickness for medium insert
23	VACAX7017S	Adhesive thickness for small insert
24	VACAS14425L	Pair of large inserts for undercarriage 4 in 1
25	VACAS14425M	Pair of medium inserts for undercarriage 4 in 1
26	VACAS14425S	Pair of small inserts for undercarriage 4 in 1
27	VACAS14425	Pair of flat inserts for undercarriage 4 in 1
28	VACASCLIP	Pair of insert clips for undercarriage 4 in 1

! ALWAYS PROVIDE THE SERIAL NUMBER OR TYPE OF BOAT PROVIDE ONLY THE CODE OF THE SPARE PARTS YOU NEED

TRADITIONAL SINGLE ACTION SEAT



wheels for all seats except for 25 aliante and 30

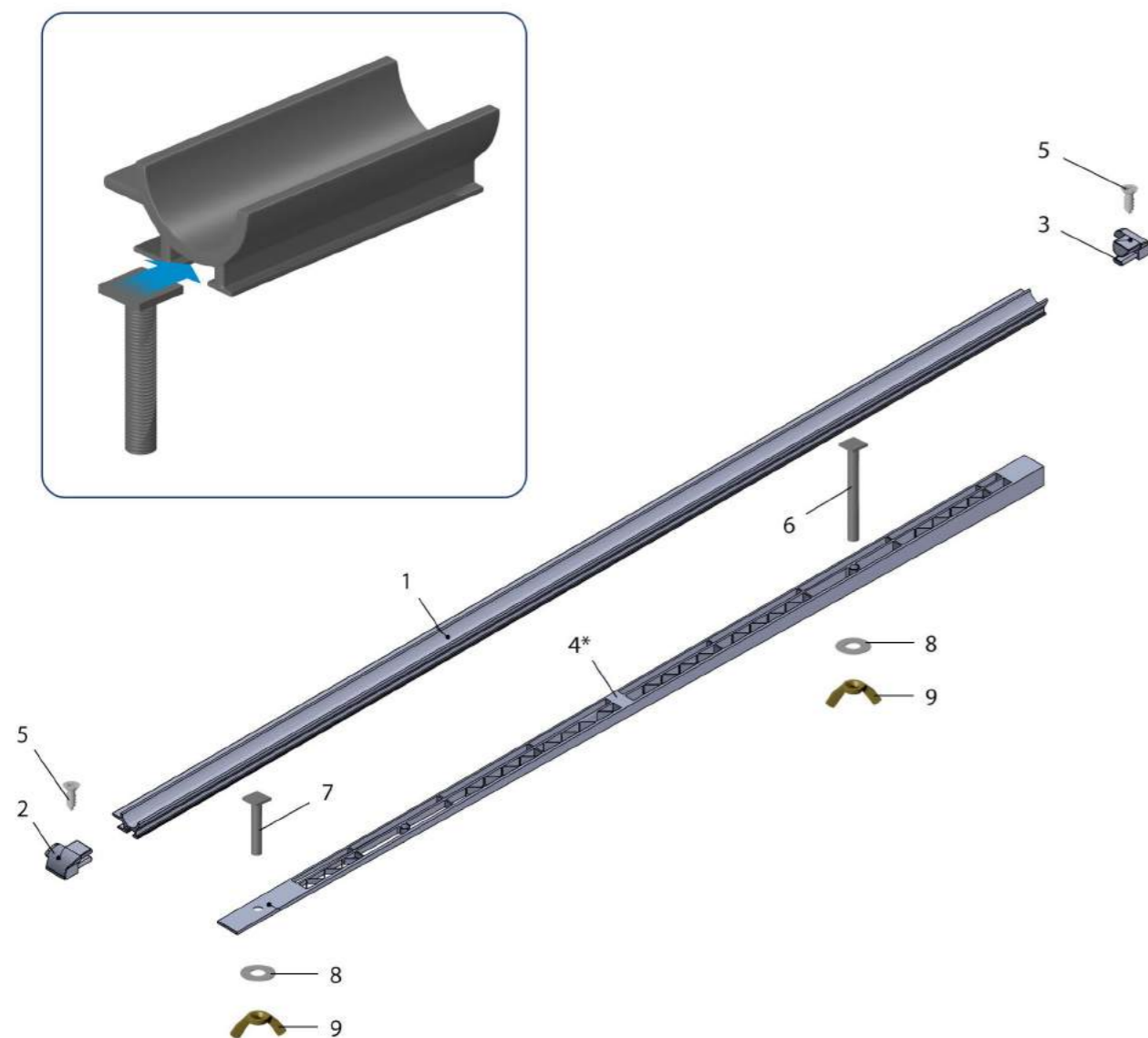
wheels for 25 aliante and 30

N°	Code	Description
	VACAF1017	Carbon undercarriage complete with fixed-wheel chassis 17cm
	VACAF1023	Carbon undercarriage complete with fixed-wheel chassis 23cm
	VACAF1025	Carbon undercarriage complete with fixed-wheel chassis 25cm
	VACAF1028	Carbon undercarriage complete with fixed-wheel chassis 28cm
	VACAF1030	Carbon undercarriage complete with fixed-wheel chassis 30cm
	VACAF1217	Fixed-wheel chassis 17cm
	VACAF1217+1	* fixed-wheel chassis 17-23-25-28. 1 cm higher
	VACAF1217+2	* fixed-wheel chassis 17-23-25-28. 2 cm higher
	VACAF1223	Fixed-wheel chassis 23cm
	VACAF1225	Fixed-wheel chassis 25cm
	VACAF1228	Fixed-wheel chassis 28cm
	VACAF1230	fixed-wheel chassis complete 30cm
	VACAX7017	Seat top for undercarriage 17 cm
1	VACAXX17	Undercarriage spacer 17cm
1	VACAXX23	Undercarriage spacer 23cm
1	VACAXX25	Undercarriage spacer 25cm
1	VACAXX28	Undercarriage spacer 28cm
1	VACAXX30	Undercarriage spacer 30cm
2	VACAX120030D	anodized steel angle bar for fixed-wheel undercarriage 30 cm Right
3	VABXXA006A	Washer 6
4	AVV6030A	Wheel bolts (M6x30)
5	VACAF1400	Nylon wheel with bearing for undercarriage
6	VACAXACHAS	Aluminum clamp for chassis
7	VACAX1200	Standard U-profile
7	VACAX1210	U profile x fixed-wheel undercarriage + 1 cm high
7	VACAX1220	U profile x fixed-wheel undercarriage + 2 cm high
8	VACAS1417	Carbon fibre undercarriage seat 17cm
8.1	VACAS1423	Carbon fibre undercarriage seat 23cm
8.2	VACAS1428	Carbon fibre undercarriage seat 28cm
9	AVV3595P	Self-fastening crosshead screw 3.5 x 9.5 TP
10	VACAX120030S	anodized steel angle bar for fixed-wheel undercarriage 30 cm Left
11	VACAX7023	Seat top for undercarriage 23/25 cm
11.1	VACAX7028	Seat top for undercarriage 28/30 cm

		Coastal
	VACAF10CR	Carbon undercarriage complete - Coastal
2	VACAX1200CRD	anodized steel angle bar for fixed-wheel undercarriage RIGHT - Coastal
10	VACAX1200CRS	anodized steel angle bar for fixed-wheel undercarriage LEFT - Coastal

*specify wheelbase

! ALWAYS PROVIDE THE SERIAL NUMBER OR TYPE OF BOAT PROVIDE ONLY THE CODE OF THE SPARE PARTS YOU NEED

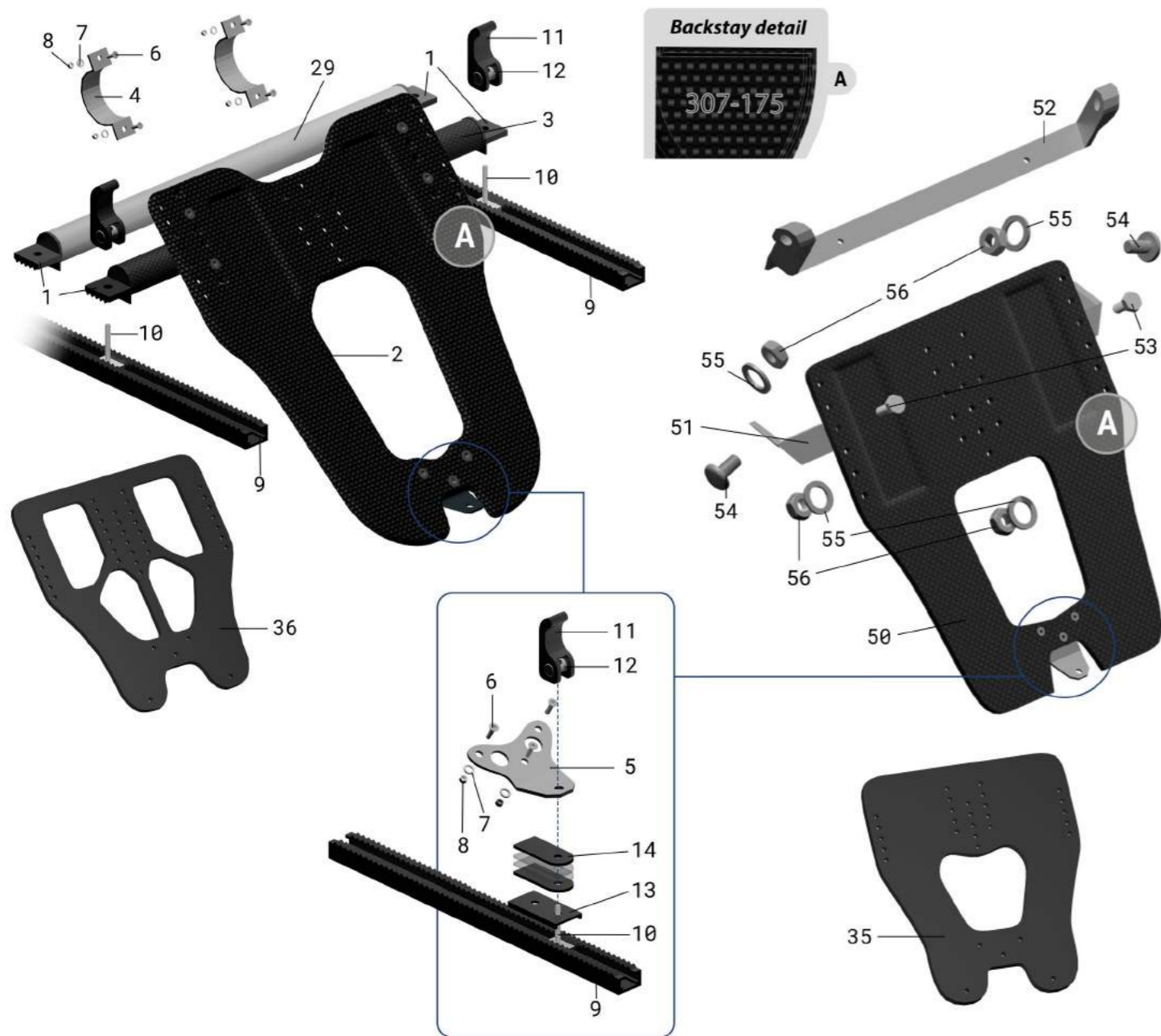


N°	Code	Description
	AMPGUI2	Complete rail 90 cm Left without sub-rail
	AMPGUI3	Complete rail 90 cm Right without sub-rail
	AMPGUIANDX	Complete rail 85 cm Right without sub-rail
	AMPGUIANS	Complete rail 85 cm Left without sub-rail
	VACAGUI85	Pair of 85cm rails complete without sub-rail
	VACAGUI90	Pair of 90cm rails complete without sub-rail
1	AMPGUIAND	Anodized profile MR73 85 cm for rail
1	AMPGUI1	Anodized profile MR73 90 cm for rail
2	VACAX6001	Stop end cap for left rail
3	VACAX6001A	Stop end cap for rail Right
4*	VACAX5010	Plastic sub-rail
5	AVV2995A	DIN 7982 stainless steel self tapping screw 2.9X9.5 TPS
6	AVB5037	Bolt 5 x 37 TQ for rail fixing
7	AVB5020Q	Bolt 5 x 20 TQ for rail fixing
8	VABXXA515A	Washer 5 x 15 wide band
9	AVD5	5 mm nut with fins (cockerel) for rail

* sub-rail: for all boats except for 1x

! ALWAYS PROVIDE THE SERIAL NUMBER OR TYPE OF BOAT PROVIDE ONLY THE CODE OF THE SPARE PARTS YOU NEED

FOOTSTRETCHERS AND PLATES



FOOTSTRETCHERS (after 2017)

N°	Code	Description
		SKIFF FOOTSTRETCHER
	VAPAC1X	* carbon footstretcher for skiff complete
50	VAPAC1XT	* carbon footstretcher for skiff plate only
51	VAPEX4020A	* aluminium crossbar for "Aliante" footstretcher
52	VAPEX4020	* aluminium crossbar for "Ala" footstretcher
	VAP260170	* Carbon footstretcher model 260-170 complete
2	VAP260170T	* Carbon footstretcher model 260-170 plate only
	VAP260200	* Carbon footstretcher model 260-200 complete
2	VAP260200T	* Carbon footstretcher model 260-200 plate only
	VAP290210	* Carbon footstretcher model 290-210 complete
2	VAP290210T	* Carbon footstretcher model 290-210 plate only

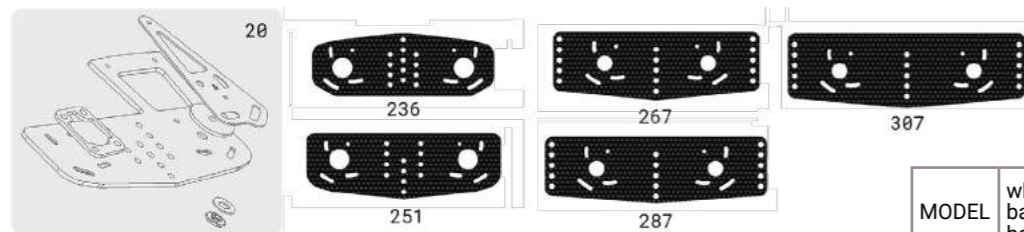
2020 Filippi Spare Parts List

N°	Code	Description
		FOOTSTRETCHER PAIRS/DOUBLES
from 1 to 8	VAPAC2X	* carbon footstretcher for 2X fully assembled with carbon crossbar
from 1 to 8	VAP257120	* Carbon footstretcher model 257-120 F36 / F46 complete with carbon crossbar
	2 VAP257120T	* Carbon footstretcher model 257-120 F36 / F46 plate only
from 1 to 8	VAP257130	* Carbon footstretcher model 257-130 complete with carbon crossbar
	2 VAP257130T	* Carbon footstretcher model 257-130 plate only
from 1 to 8	VAP267130	* Carbon footstretcher model 267-130 complete with carbon crossbar
	2 VAP267130T	* Carbon footstretcher model 267-130 plate only
from 1 to 8	VAP267130F51	* Carbon footstretcher model 267-130 F51 complete with carbon crossbar
	2 VAP267130F51T	* Carbon footstretcher model 267-130 F51 plate only
from 1 to 8	VAP267145	* Carbon footstretcher model 267-145 complete with carbon crossbar
	2 VAP267145T	* Carbon footstretcher model 267-145 plate only
		FOOTSTRETCHER FOUR/QUAD
from 1 to 8	VAPAC4X	* carbon footstretcher for 4x/4- fully assembled with carbon crossbar
from 1 to 8	VAP267130	* Carbon footstretcher model 267-130 complete with carbon crossbar
	2 VAP267130T	* Carbon footstretcher model 267-130 plate only
from 1 to 8	VAP267145	* Carbon footstretcher model 267-145 complete with carbon crossbar
	2 VAP267145T	* Carbon footstretcher model 267-145 plate only
from 1 to 8	VAP287125	* Carbon footstretcher model 287-125 complete with carbon crossbar
	2 VAP287125T	* Carbon footstretcher model 287-125 plate only
from 1 to 8	VAP287135	* Carbon footstretcher model 287-135 complete with carbon crossbar
	2 VAP287135T	* Carbon footstretcher model 287-135 plate only
from 1 to 8	VAP287145	* Carbon footstretcher model 287-145 complete with carbon crossbar
	2 VAP287145T	* Carbon footstretcher model 287-145 plate only
from 1 to 8	VAP287152	* Carbon footstretcher model 287-152 complete with carbon crossbar
	2 VAP287152T	* Carbon footstretcher model 287-152 plate only
from 1 to 8	VAP287160	* Carbon footstretcher model 287-160 complete with carbon crossbar
	2 VAP287160T	* Carbon footstretcher model 287-160 plate only
		FOOTSTRETCHER EIGHT
from 1 to 8	VAPAC8+	* carbon footstretcher for 8+ assembled complete with carbon crossbar
from 1 to 8	VAP307140	* Carbon footstretcher model 307-140 complete with carbon crossbar
	2 VAP307140T	* Carbon footstretcher model 307-140 plate only
from 1 to 8	VAP307160	* Carbon footstretcher model 307-160 complete with carbon crossbar
	2 VAP307160T	* Carbon footstretcher model 307-160 plate only
from 1 to 8	VAP307175	* Carbon footstretcher model 307-175 complete with carbon crossbar
	2 VAP307175T	* Carbon footstretcher model 307-175 plate only
29	VAPTRAL	Aluminium crossbar for footstretcher without end-pieces
1	VAPEX4055	Nylon tube end cap
4	VAPEXCAPED	stainless steel trestle for footstretcher
5	VAPEX4040	stainless steel butterfly [screw] for footstretcher
6	AVV5016	TPS 5 X 16 stainless steel crosshead screw DIN 965
8	AVD5A	self-locking nut diameter 5 mm stainless steel
7	VABXXA005A	washer diameter 5 mm stainless steel
9	VAPEX4060	plastic mounting bracket (1 piece)
11	VABXMCLAR	Eccentric lever for quick attachment
12	VABXMPCF	hollow pins for quick coupling lever
14	VAPEX4050	thickness for footstretcher inclination adjustment
13	VAPEX4075	rectangular dowel for the rack
10	AVB6027	Stainless steel bolt 6X27 T rectangular

! ALWAYS PROVIDE THE SERIAL NUMBER OR TYPE OF BOAT PROVIDE ONLY THE CODE OF THE SPARE PARTS YOU NEED

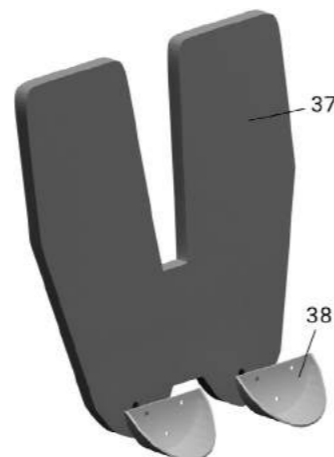
N°	Code	Description
4	VAPEXCAVA	Aluminium anode clevis.
35	VAPEF2002	* Carbon plate for F15
36	VAPEF2002	* Carbon plate for F13 and F36
35	VAPEF2002	* Carbon plate for F14, F18, F21 and F39
36	VAPEF2002	* Carbon plate for all boats except the above
6	AVV5020	5x20mm screw for mounting brackets
7	VABXXA005A	Washer Ø 5mm for mounting clevis brackets
8	AVD5A	Nut Ø 5mm for mounting clevis brackets
1	VAPEX4055	Nylon tube dowel
	AVV4035	Screw 4X35mm for fixing stretcher mounting bracket for F11, F13, F17 (if for athletes <90Kg), F30, F31, F36
	AVV4025	Screw 4X25mm for stretcher mounting bracket for all boats except the above
	AVV3519	3. 5x19 mm screw for keel mounting bracket
9	VAPEX4060	plastic mounting bracket (1 piece)
	AVD6A	self-locking M6 nut
	AVV6025	cross screw m6x25 with countersunk head
	AVBA4M6030	Bolt M 6x30 flanged, standard swivel plate fastening
	VAPEG3001	hardware swivel footstretcher, standard
	AVDESAG	6mm hex nut for standard swivel fastener
	AVV5010	5x10 screws for shoe fixing standard system
	VAPAADI245	* Aluminum plate for footstretcher 245 mm
	VAPAADI260	* Aluminum plate for footstretcher 260 mm
	VAPAADI270	* Aluminum plate for footstretcher 270 mm

PLATES



N°	Code	Description
251	VAPAP251	** Carbon plate 251 mm 3 center holes
20	VAPAP251G	** Carbon swivel plate 251 mm 3 center holes
251	VAPAP251S	** Carbon plate 251 mm 3 center holes F13-F36-F46
267	VAPAP267	** Carbon plate 267 mm
20	VAPAP267G	** Carbon swivel plate 267 mm
236	VAPAP236	** Carbon plate 236 mm 3 center holes
287	VAPAP287	** Carbon plate 287 mm
20	VAPAP287G	** Carbon swivel plate 287 mm
307	VAPAP307	** Carbon plate 307 mm
307	VAPAP307S	** Carbon plate 307 mm narrow

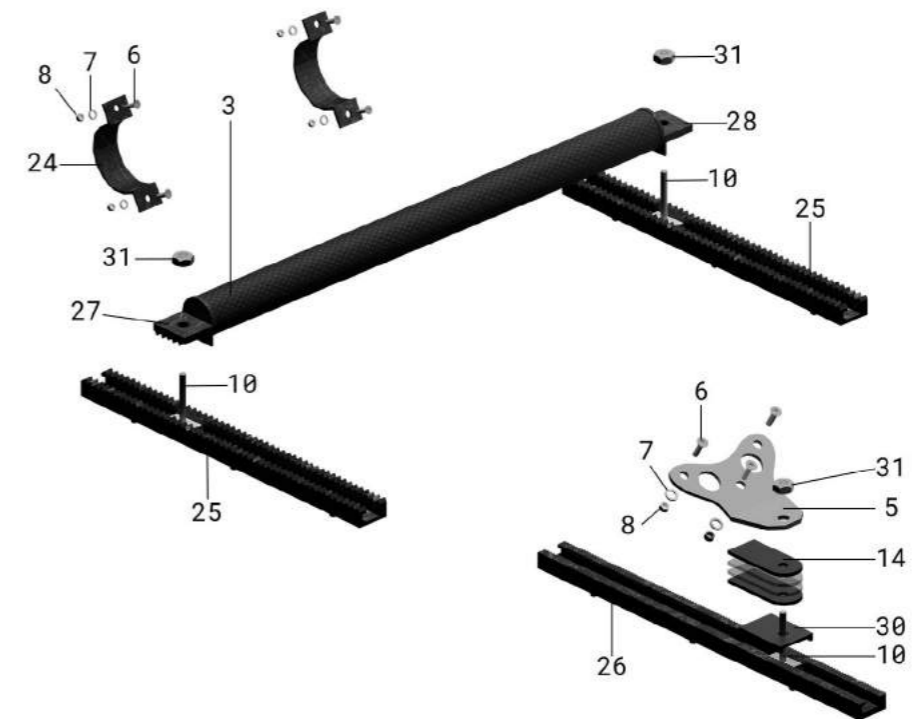
MODEL	wheel- base pin hole 104	wheel- base pin hole 124	wheel- base pin hole 130	wheel- base pin hole 144
236			✓	
251			✓	✓
267	✓			
287		✓		
307			✓	✓



ADAPTIVE

N°	Code	Description
37	VAPAADST	Carbon plate
	VAPAADCO	Complete carbon footstretcher with aluminium crossbar
38	VAPE01003	Heel support in white nylon plastic
	VAPE01004	Orthopedic footstretcher laces
	VACOPFAECS	Band for Adaptive footstretcher Fil30

CARBON KIT



N°	Code	Description
3	VAPTRACA	Carbon crossbar for footstretcher without end caps
5	VAPEX4040	stainless steel butterfly [screw] for footstretcher
6	AVV5016	TPS 5 X 16 stainless steel crosshead screw DIN 965
7	VABXXA005A	washer diameter 5 mm stainless steel
8	AVD5A	self-locking nut diameter 5 mm stainless steel
10	AVB6027	Stainless steel bolt 6X27 T rectangular
14	VAPEX4050	thickness for footstretcher inclination adjustment
24	VAPEXCACC	carbon trestle for footstretcher
25	VAPEX4060CC	new carbon mounting bracket
26	VAPEXMRCC	Carbon rib
27	VAPEX40CCSX	Carbon tube end cap LEFT
28	VAPEX40CCDX	Carbon tube end cap RIGHT
30	VAPEX4080	Rectangular dowel for new ribbed made with black POM
31	AVDESAG	6mm hex nut for standard swivel fastener

* PROVIDE BOAT SERIAL NUMBER AND ROWING SEAT - IF PRESENT, FOOTSTRETCHER SYMBOL (ES, 307-175) - INDICATE WHETHER THE MOUNTING BRACKET SYSTEM IS SCREWED OR GLUED TO THE BOAT. IF GLUED, THE FOOTSTRETCHER TAKES THE "CARBON KIT" WITH RIGHT AND LEFT-HAND CARBON END PIECES for an extra cost OF €35.

** MEASURE THE WIDTH OF THE PLATE IN mm (e.g. 251)

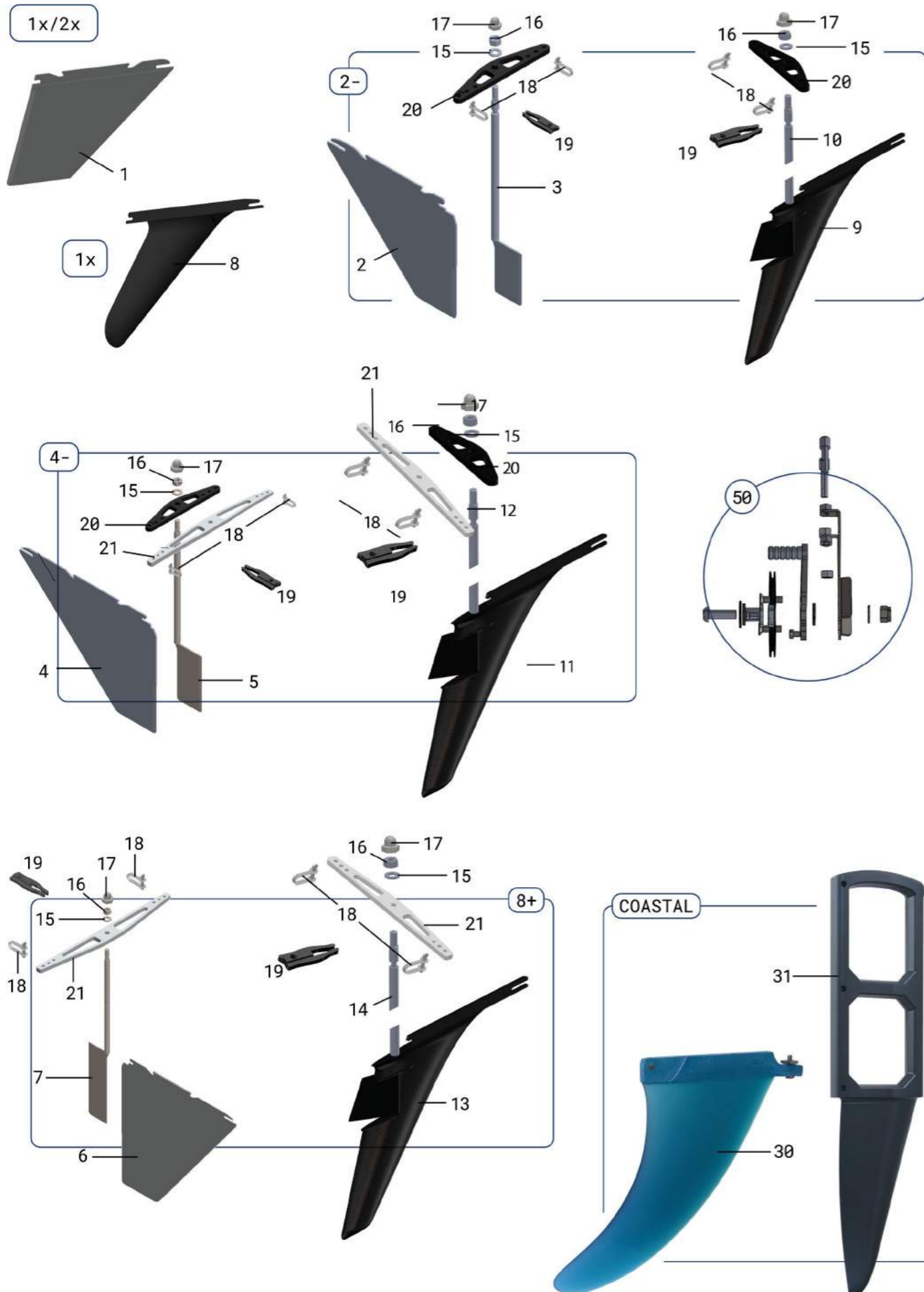
! ALWAYS PROVIDE THE SERIAL NUMBER OR TYPE OF BOAT PROVIDE ONLY THE CODE OF THE SPARE PARTS YOU NEED



N°	Code	Description
	VASANI	Hygienic spray for Filippi shoes
	VACLEANER	Cleaning Spray for Filippi shoes
	VAPEX4001N	Black laces 47cm for Filippi shoes
1	*VAPEF0XXB	Blue Filippi shoe size XX
1.1	*VAPEF0XXN	Black Filippi shoe size XX
1.2	*VAPEF0XXW	White Filippi shoe size XX
2	AVV5010	Screws 5.0 X 10 tps stainless steel din 965 (IF RECTANGULAR PLATE)
2	AVV5012	TPS screw 5 X 12 stainless cross DIN 965
2.1	AVV508	Screws 5.0 X 8 tps stainless steel din 965 (If PENTAGONAL PLATE)
4	VABCXT47	4° to 7° Filippi shoe adapter EXTRA ADAPTER
5	VAPEXSR	Safety release tie rod for Filippi shoe
6	VAPEX154042	Filippi sock size 40-42
6	VAPEX154345	Filippi sock size 43-45
6	VAPEX154648	Filippi sock size 46-48
6	VAPEX154951	Filippi sock size 49-51

* when ordering indicate, instead of xx, the size to be ordered

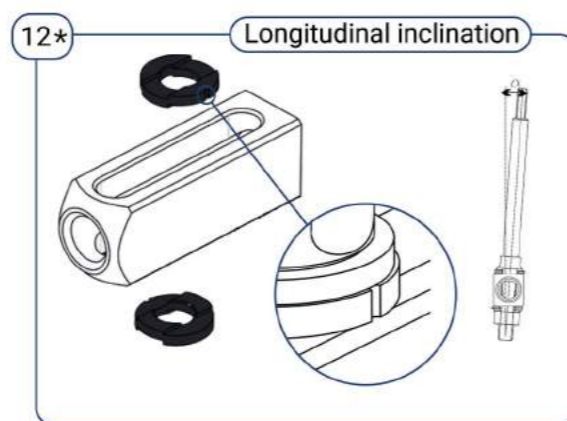
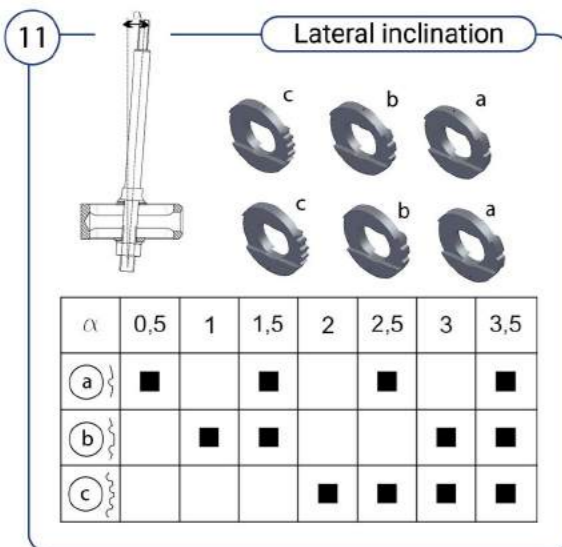
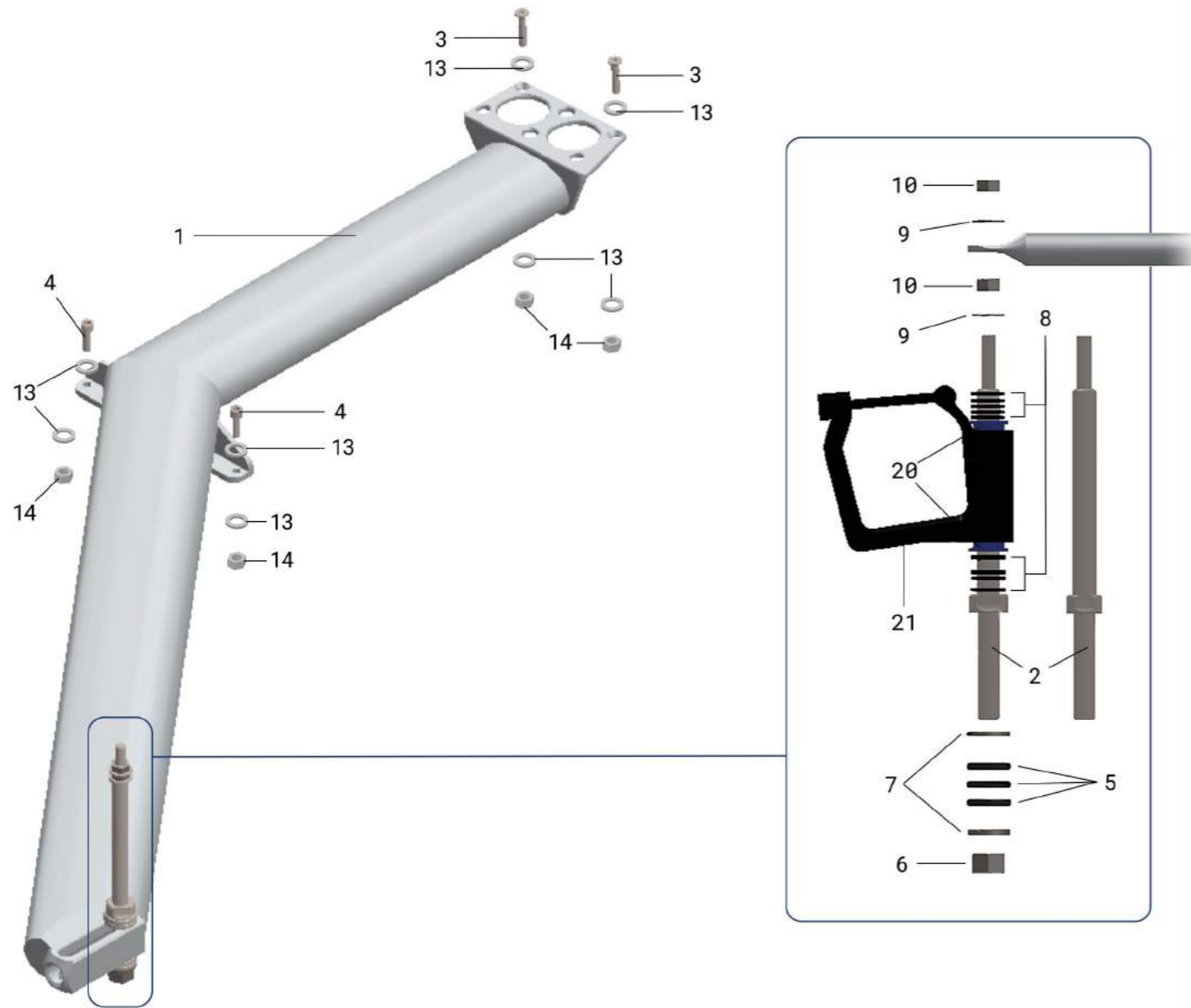
! ALWAYS PROVIDE THE SERIAL NUMBER OR TYPE OF BOAT PROVIDE ONLY THE CODE OF THE SPARE PARTS YOU NEED



N°	Code	Description
1	VAVASCD03	1x/2x/1x workout aluminium pull-out fin
2	VAVASCD12	2 - anodized fin
3	VAVASCT24	Stainless steel rudder for 2 -, without directional plate
4	VAVASCD11	Aluminum fin 4+ 4x 4 - anodized
5	VAVASCT25	Stainless steel rudder for 4x -, without directional plate
6	VAVASCD08	Anodized aluminium 8+ fin
7	VAVASCT26	Stainless steel rudder for 8+, without directional plate
8	VAVASCDN	Aluminium fin with Black OX wing profile, for 1X and 2X
9	VAVASCD A2	Black wing fin 2-
9+10	VAVASCDN12	Fin with rudder, aluminium with OX wing profile black, for 2-
10	VAVASCBT2	Rudder bar fin wing profile black 2-
11	VAVASCD A4	Black wing fin 4-
11+12	VAVASCDN4N	Fin with rudder, aluminum with Black OX wing profile, for 4X and 4-
12	VAVASCBT4	Rudder bar fin wing profile black 4-
13	VAVASCD A8	Black wing fin 8+
13+14	VAVASCDN8N	Fin with rudder, aluminium with Black OX wing profile, for 8+
14	VAVASCB8	Rudder bar fin wing profile black 8+
15	VABXXA006A	6 UNI 6592 stainless washer
16	AVDESAG	6 A4 hex nut
17	DA44 6	Stainless steel blind nut 6
18	VAVASCT13	No. 2 stainless dee shackle
19	AASTAVFN	nylon fork for rudder 2.4 and 8
20	VAVADIR2/4	directional 2 and 4 small black
21	VAVADIR8	directional 4+ 8 + large aluminum
50	VAVASCTM8+	single lever rudder 4 + TAV
	VAVASCD09	Shaped fin for 8+
	VAVASCD10	Shaped fin for 4
	VAVASCT10	Stainless steel cable-diameter 1.5 mm (per meter)
	VAVASCT11	Sheath for stainless steel cable (per meter)

		Coastal
30	VAVASCD01CR	fin for 1x Coastal type 16cm
30	VAVASCD02CR	fin for 2x Coastal type 18cm
31	VAVASCD04CR	fin for 4X + Coastal rowing

! ALWAYS PROVIDE THE SERIAL NUMBER OR TYPE OF BOAT PROVIDE ONLY THE CODE OF THE SPARE PARTS YOU NEED



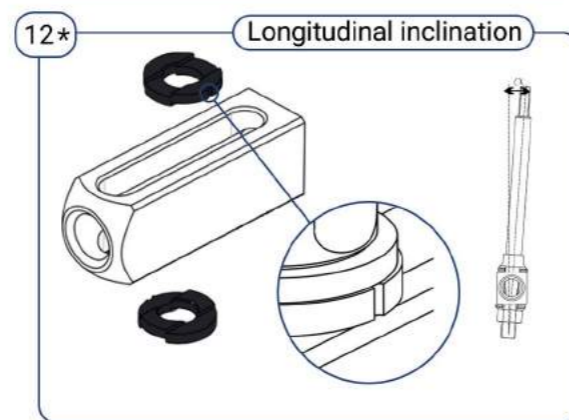
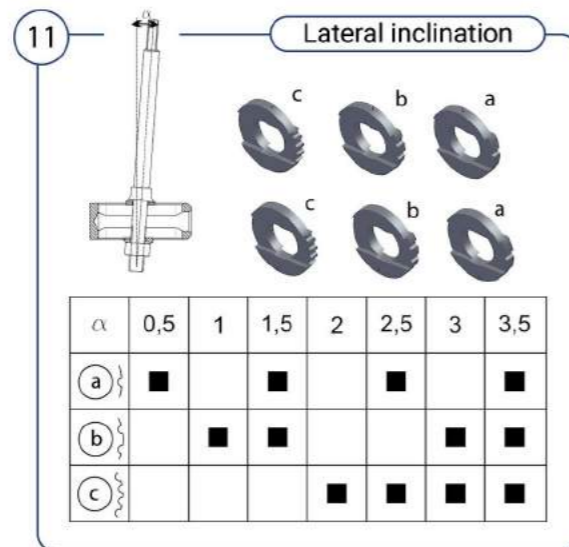
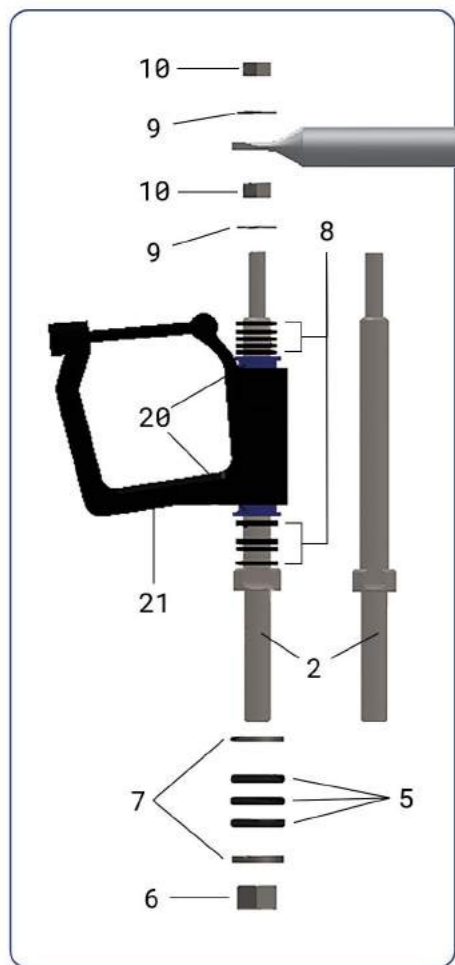
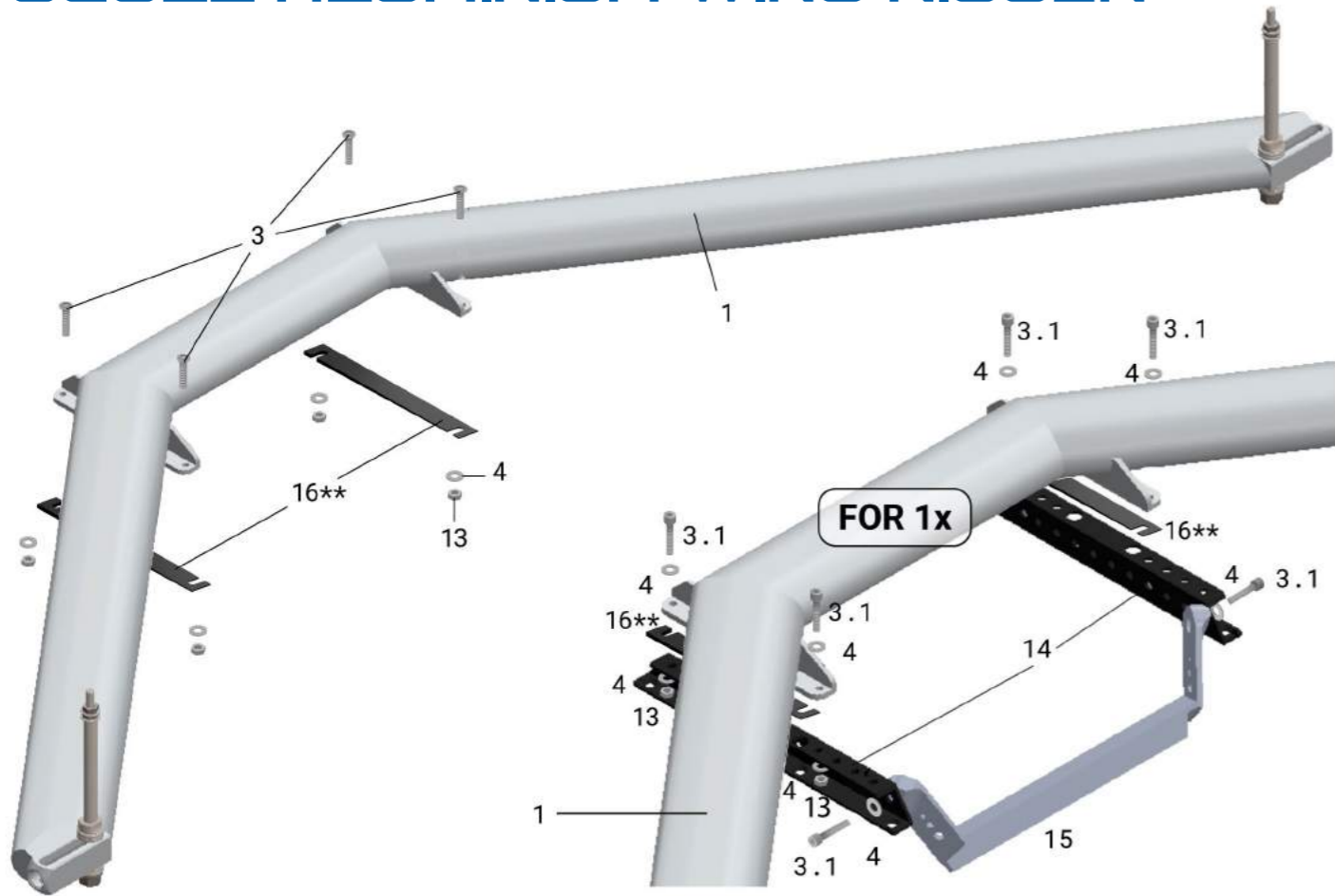
N°	Code	Description
	VABPWA200	* Aluminium wing sweep rigger compl. with titanium pin, 5th tube and oarlock
	VABPWA215PT	* Aluminium wing sweep rigger compl. with titanium pin, 5th tube and oarlock
	VACOPEALE24	Sweep wing cover art. Fil24
1	VABPWA210	* Aluminium wing sweep rigger - frame only
2	VABPXC010	Stainless steel pin for sweep rowing oarlock
2	VABXMC048	Titanium pin for sweep oarlock
3	AVV6025BR	6x25 countersunk screw with Allen wrench
4	AVBA4M6030	TBCE C/flange Bolts A-4 m 6.0 x 30 stainless steel
5	VABXXT005	Aluminum washer SP 5 mm for height
6	AVD12UNIA	Stainless steel nut M12 self-locking
7	VABXXA0012A	Stainless steel washer 12
8	VABXXM010	Black washer for height adjustment
9	VABXXA008A	Stainless steel washer 8 UNI 6592 AISI 316 X TE
10	AVD8	Stainless steel nut M8
11	VABXMC070	Set of inclined washers for side adjustment pin
12	VABXMC070L	Set of inclined washers for longitudinal adjustment pin (4 pcs)
13	VABXXA006A	stainless steel washer 6 UNI6592 A316 X TE
14	AVDESAG	Hex nut. A4 316L M6
20	VABCXC0473	Universal spike sockets sweep Concept II art. 473
21	VABPXC005	Concept II nylon oarlock

* provide the serial number of the boat and the seat position

! ALWAYS PROVIDE THE SERIAL NUMBER OR TYPE OF BOAT PROVIDE ONLY THE CODE OF THE SPARE PARTS YOU NEED

SCULL ALUMINIUM WING RIGGER

2020 Filippi Spare Parts List



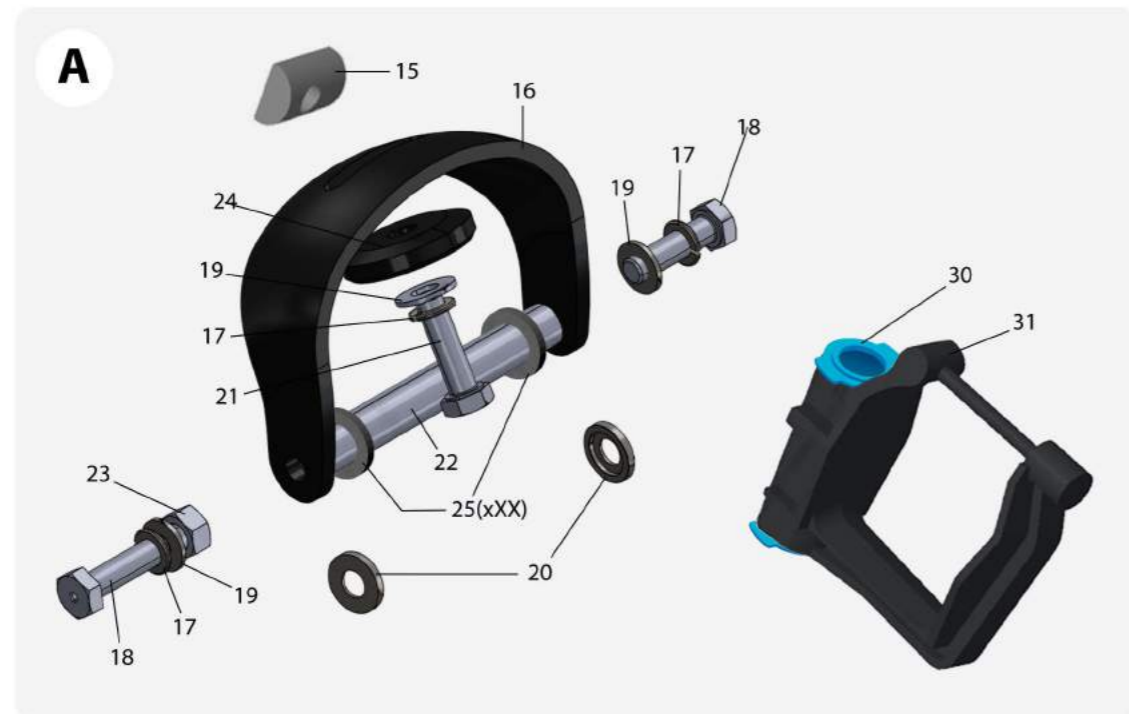
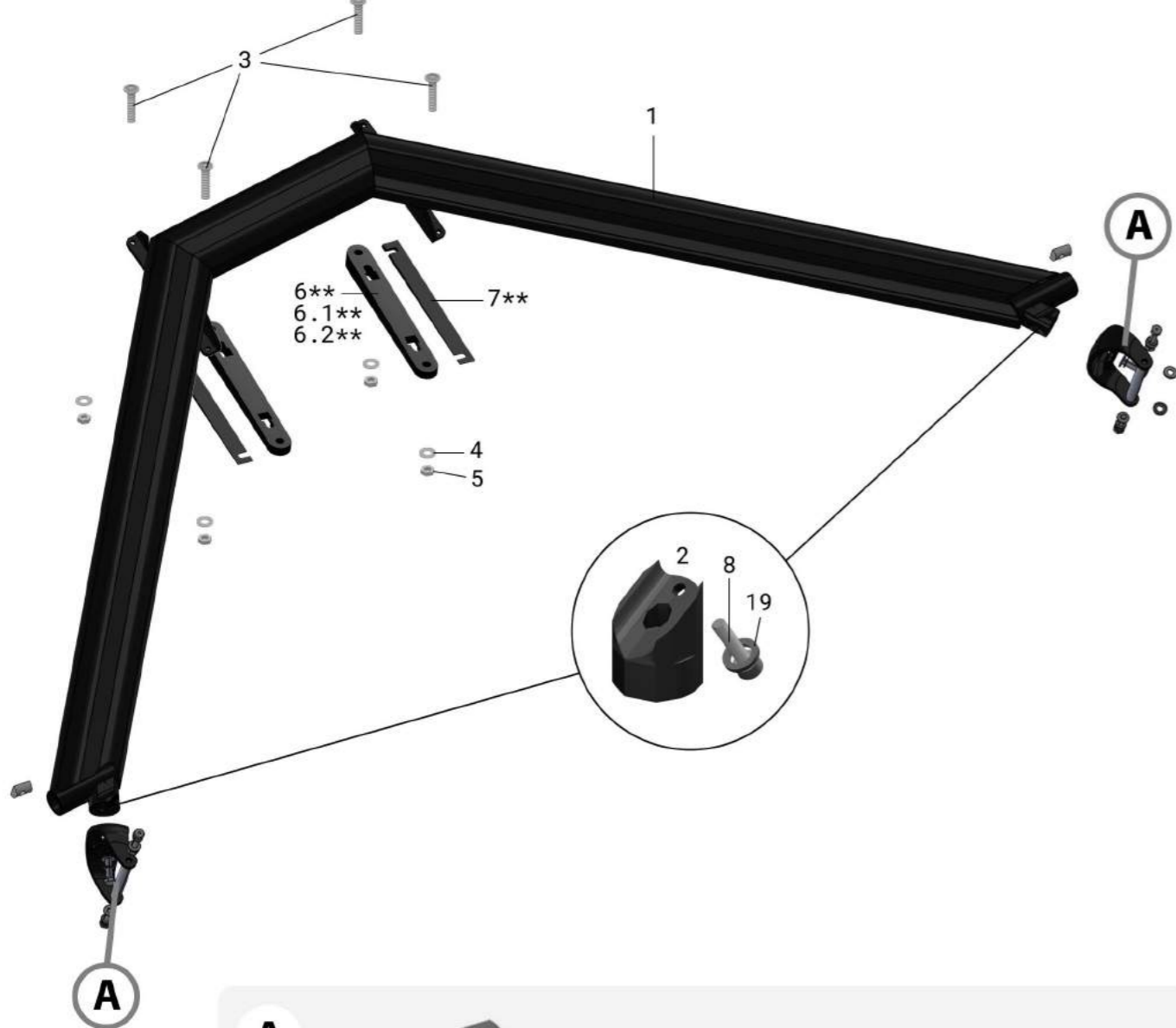
N°	Code	Description
	AABCWA1X010PT	Kit 1x aluminum wing rigger compl.with titanium pin
	AVD6A	6 inch stainless steel self-locking nut for boat block coupling
	AVV6020	6x20 TPS stainless steel cross headscrews din 965 for boat block coupling
	VABCWA000	Aluminium wing rigger for 1X complete with pin and oarlock
	VABCWA200	* Aluminium wing scull rigger compl. with titanium pin, 5th tube and oarlock
	VABCWA215PT	* Aluminium wing scull rigger compl. with titanium pin, 5th tube and oarlock
	VACOPEAL23	Covering for wing scull rigger Fil23
1	VABCWA210	* Aluminium wing scull rigger - frame only
2	VABCXC010	Stainless steel pin for scull rowing oarlock
2	VABXMC047	Titanium pin for scull rowing oarlock
3	AVBA4M6030	Flanged br. head screw for 2X and 4X M6X30
3.1	AVV6020A	Bolt allen head cylinder M 6X20
4	VABXXA006A	6 uni stainless washer 6592A316X TE
5	VABXT005	Aluminum washer SP 5 mm for height
6	AVD12UNIA	Stainless steel nut M12 self-locking
7	VABXXA0012A	stainless steel washer 12
8	VABXXM010	Black washer for height adjustment
9	VABXXA008A	Stainless steel washer 8 UNI 6592 AISI 316 X TE
10	AVD8	Stainless steel nut M8
11	VABXMC070	Set of inclined washers for side adjustment pin
12	VABXMC070L	Set of inclined washers for longitudinal adjustment pin (4 pcs)
13	AVDESAG	Hex nut. A4 316 L M6
14	VABCWC015	Anodized aluminium blocks for 1x wing rigger
15	VAPEX4020W	Aluminium crossbar for wing rigger
16	VABCXTAA	Wedge for reg. height, wing scull rigger
20	VABCXC0474	Universal spike sockets scull Concept II art. 474
21	VABCXC005	Concept II nylon oarlock for sculling

* provide the serial number of the boat and the seat position

** optional

! ALWAYS PROVIDE THE SERIAL NUMBER OR TYPE OF BOAT PROVIDE ONLY THE CODE OF THE SPARE PARTS YOU NEED

SCULL ALUMINIUM ALIANTE WING RIGGER

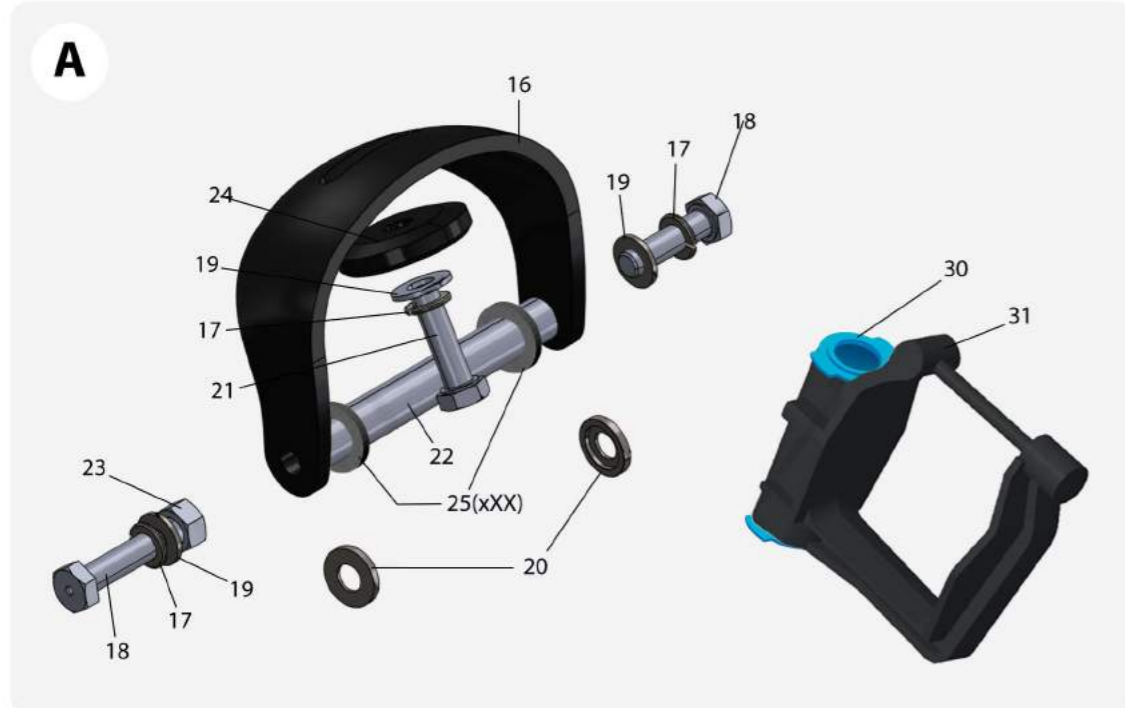


N°	Code	Description
	VABCALA500	* Aluminium Aliante scull rigger complete with steel and aluminium accessories and oarlocks
	VABCALA510	* Aluminium aliante scull rigger with hilt and accessories in steel and aluminium without oarlocks
	VACOPEAL11	Cover for Aliante art.Fil11
1	VABCALA515	* Aluminium aliante frame
2	VABXALA040	aluminium hilt holder insert, for aluminium aliante
3	AVBA4M6030	Head screw br. flanged for M6X30
4	VABXXA006A	6 uni stainless washer 6592A316X TE
5	AVDESAG	Hex nut. A4 316 L M6
6	VABCXT15	POM wedge for aliante incl. 15
6.1	VABCXT30	POM wedge for aliante incl. 30
6.2	VABCXT45	POM wedge for aliante incl. 40
7	VABCXTAA	Wedge for reg. height, wing scull rigger
8	AVV8020C	8X20 Allen screw cylindrical head
25	VABXXM010	Black washer for height adjustment
HILT TABLE		
15	VABXALA030	stainless crescent nut for aluminium aliante
16	VABXAL010	Aluminium hilt for aliante
16+22	VABXAL015	Aluminium hilt for aliante with pin, without oarlock
16+22+31	VABXAL020	Aluminium hilt for Aliante with pin and oarlock
17	VABXXGL8	8mm glower washer
18	AVB830ES	M8x30 centred bolts
19	VABXXA008A	Stainless steel flat washer 8 mm
20	VABXXGL8E	8 washer for hilt
21	AVBA48035	Allen screw M8x35
22	VABXMC045	Stainless steel pin for aluminium hilt
23	AVD8	stainless steel nut 8
24	VABXMC105	Heavy-duty aluminium washers for blocking carbon hilt, scull
30	VABCXC0474	Universal spike sockets scull Concept II art. 474
31	VABCXC005	Concept II nylon pair oarlock

* provide the serial number of the boat and the seat position
 ** optional

! ALWAYS PROVIDE THE SERIAL NUMBER OR TYPE OF BOAT PROVIDE ONLY THE CODE OF THE SPARE PARTS YOU NEED

SWEEP CARBON ALIANTE WING RIGGER

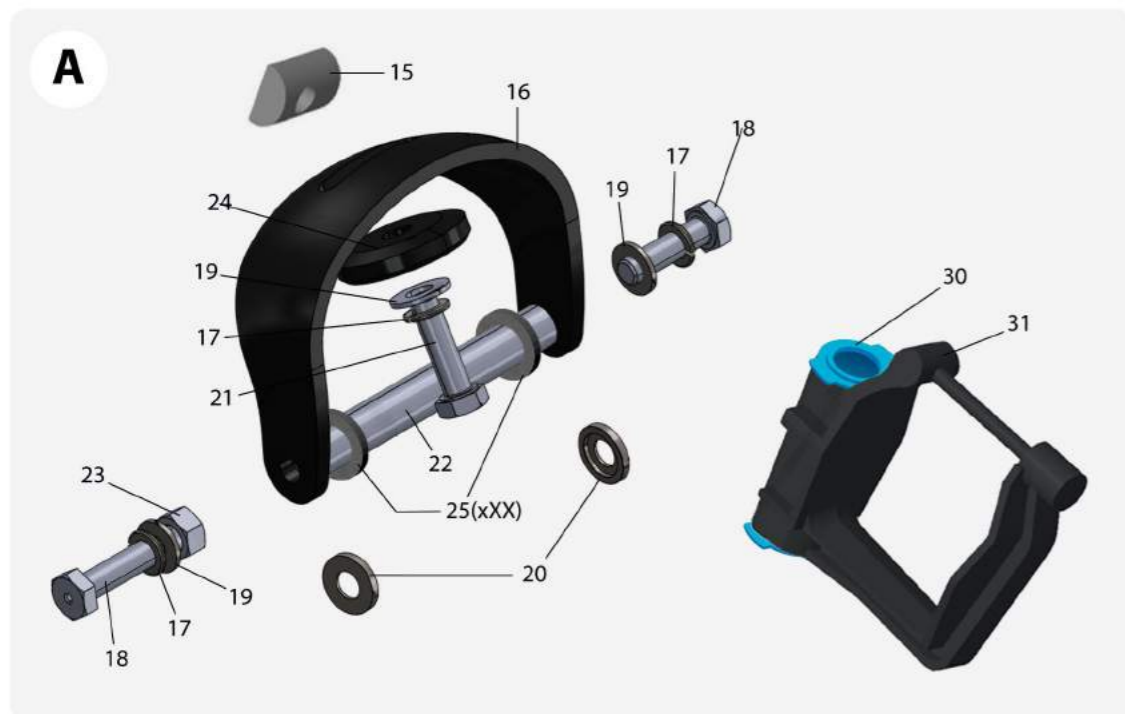


N°	Code	Description
	VABPC001	*Complete Aliante Carbon sweep wing
	VABPC001SC	*Aliante Carbon sweep wing complete - without oarlock
1	VABPC001SS	*Aliante Carbon sweep wing - frame only
3	AVBA4M6030	Head screw br. flanged for M6X30
2	AVBAMM608704	Bolts tbce C / flange A-4 M 6.0 x 40 stainless steel
4	VABXXA006A	6 uni stainless washer 6592A316X TE
5	AVDESAG	Hex nut. A4 316 L M6
6	VABCXTAAP	Wedge reg. height Aliante sweep
HILT TABLE		
16	VABXAL010	Aluminium hilt for aliante
16+22	VABXAL015	Aluminium hilt for aliante with pin, without oarlock
16+22+31	VABXAL020	Aluminum collar for Aliante with pin and oarlock
17	VABXXGL8	8mm glower washer
18	AVB830ES	M8x30 centred bolts
19	VABXXA008A	Stainless steel flat washer 8 mm
20	VABXXGL8E	8 washer for hilt
21	AVBA48035	Allen screw M8x35
22	VABXMC045	Stainless steel pin for aluminium hilt
23	AVD8	stainless steel nut 8
24	VABXMC105	Heavy-duty aluminium washers for blocking carbon hilt, scull
25	VABXXM010	Black washer for height adjustment
26	VABXALA050	Fixing nut for Aliante Carbon handhold - sweep
27	VABXFM01	ALIANTE SWEEP hilt holder MOD.01
28	VABXFM02	ALIANTE SWEEP hilt holder MOD.02
29	VABXFM03	ALIANTE SWEEP hilt holder MOD.03
30	VABCXC0474	Universal spike sockets scull Concept II art. 474
31	VABCXC005	Concept II nylon pair oarlock

* provide the serial number of the boat and the seat position
 ** optional

! ALWAYS PROVIDE THE SERIAL NUMBER OR TYPE OF BOAT PROVIDE ONLY THE CODE OF THE SPARE PARTS YOU NEED

SCULL CARBON ALIANTE WING RIGGER

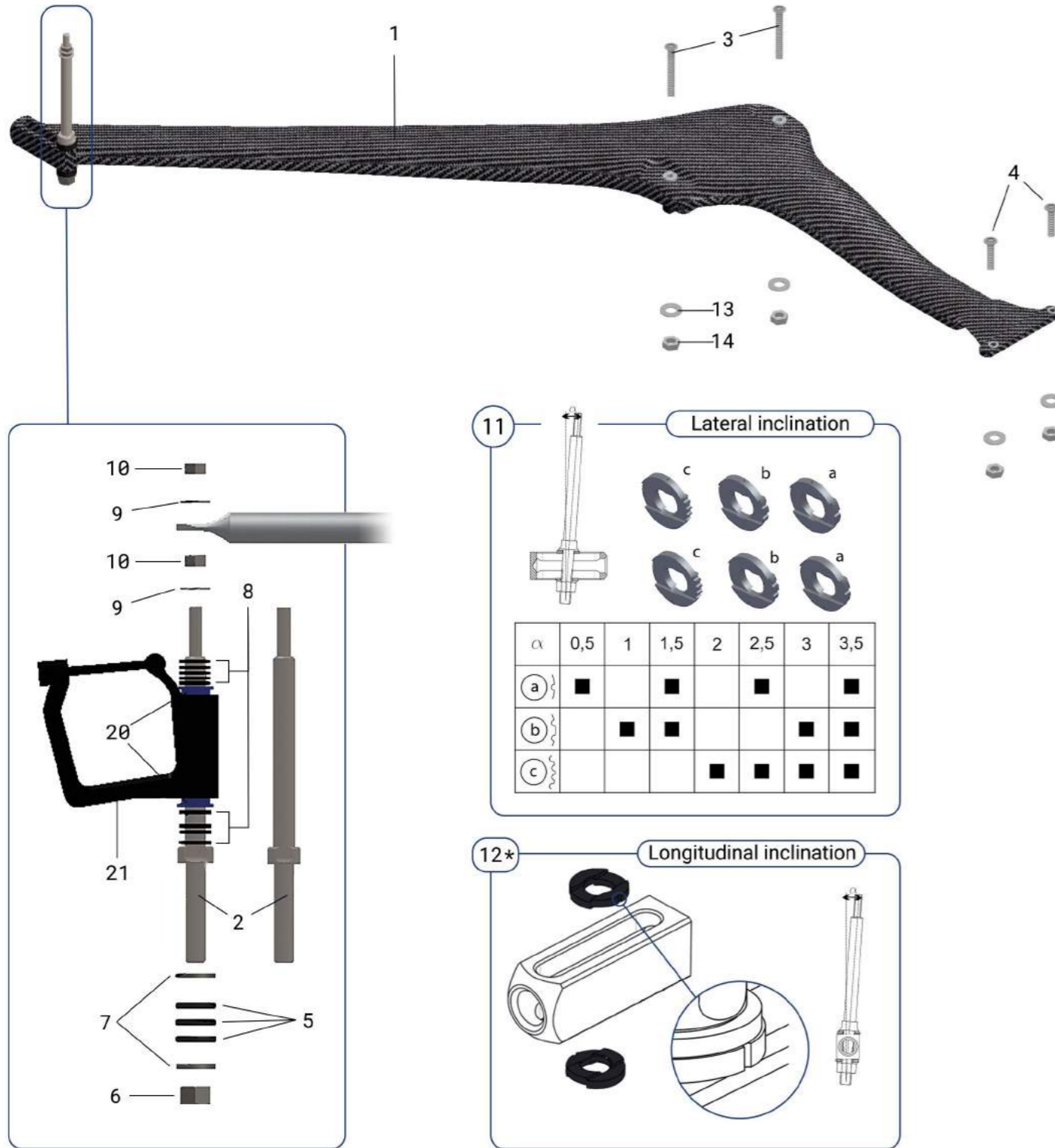


N°	Code	Description
	VABCALC300	* Aliante Carbon scull rigger complete with hilt, steel and aluminium accessories and Concept 2 oarlocks
	VABCALC310	* Aliante Carbon scull rigger complete with hilt and accessories in steel and Aluminium, without oarlock
	VACOPEAL 11	Blanket aliante item FIL11
1	VABCALC315	*Carbon aliante scull rigger frame only
2	AVBAMM608704	Bolts tbce C / flange A-4 M 6.0 x 40 stainless steel
3	AVBAMM60804	Bolts tbce C / flange A-4 M 6.0 x 80 stainless steel
4	VABXXA006A	6 uni stainless washer 6592A316X TE
5	AVDESAG	Hex nut. A4 316 L M6
6	VABCXT15	POM wedge for aliante incl. 15
6.1	VABCXT30	POM wedge for aliante incl. 30
6.2	VABCXT45	POM wedge for aliante incl. 40
7	VABCXTAA	Wedge for reg. height, wing scull rigger
8	VABXALA041	Aluminium hilt holder aliante, scull
9	AVV8020C	8X20 Allen screw cylindrical head
HILT TABLE		
15	VABXALA031	stainless crescent nut for aluminium aliante
16	VABXAL010	Aluminium hilt for aliante
16+22	VABXAL015	Aluminium hilt for aliante with pin, without oarlock
16+22+31	VABXAL020	Aluminum collar for Aliante with pin and oarlock
17	VABXXGL8	8mm glower washer
18	AVB830ES	M8x30 centred bolts
19	VABXXA008A	Stainless steel flat washer 8 mm
20	VABXXGL8E	8 washer for hilt
21	AVBA48035	Allen screw M8x35
22	VABXMC045	Stainless steel pin for carbon arm
23	AVD8	stainless steel nut 8
24	VABXMC105	Heavy-duty aluminium washers for blocking carbon hilt, scull
25	VABXXM010	Black washer for height adjustment
30	VABCXC0474	Universal spike sockets scull Concept II art. 474
31	VABCXC005	Concept II nylon pair oarlock

* provide the serial number of the boat and the seat position

** optional

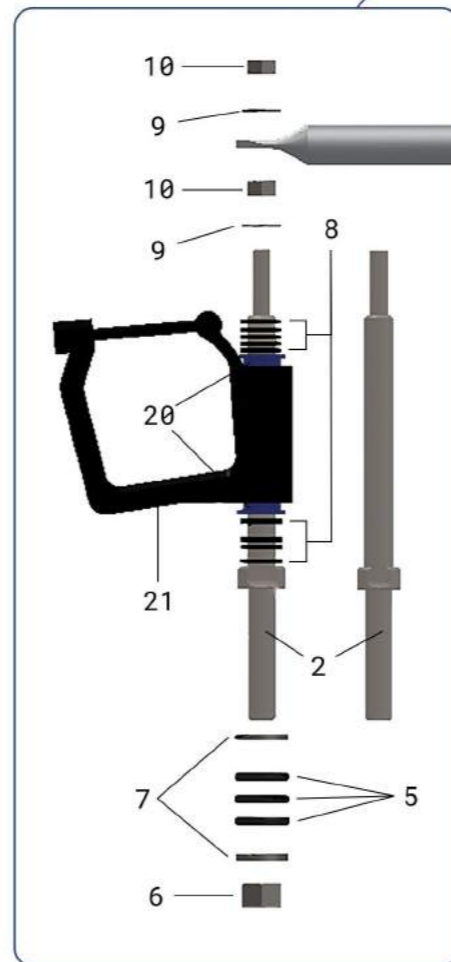
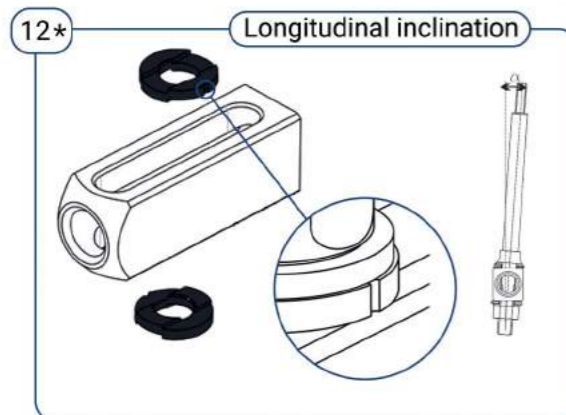
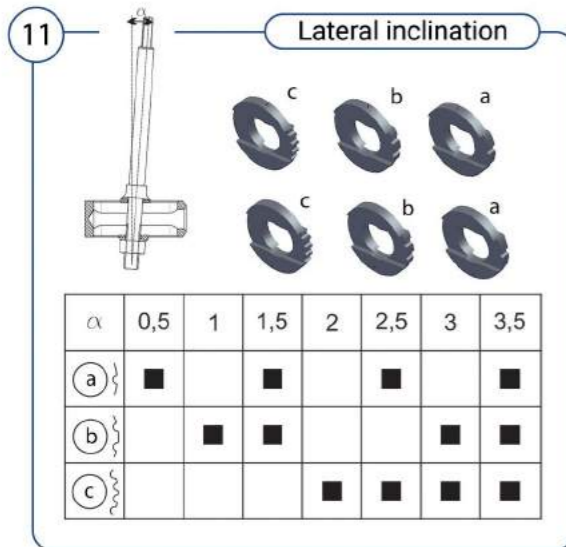
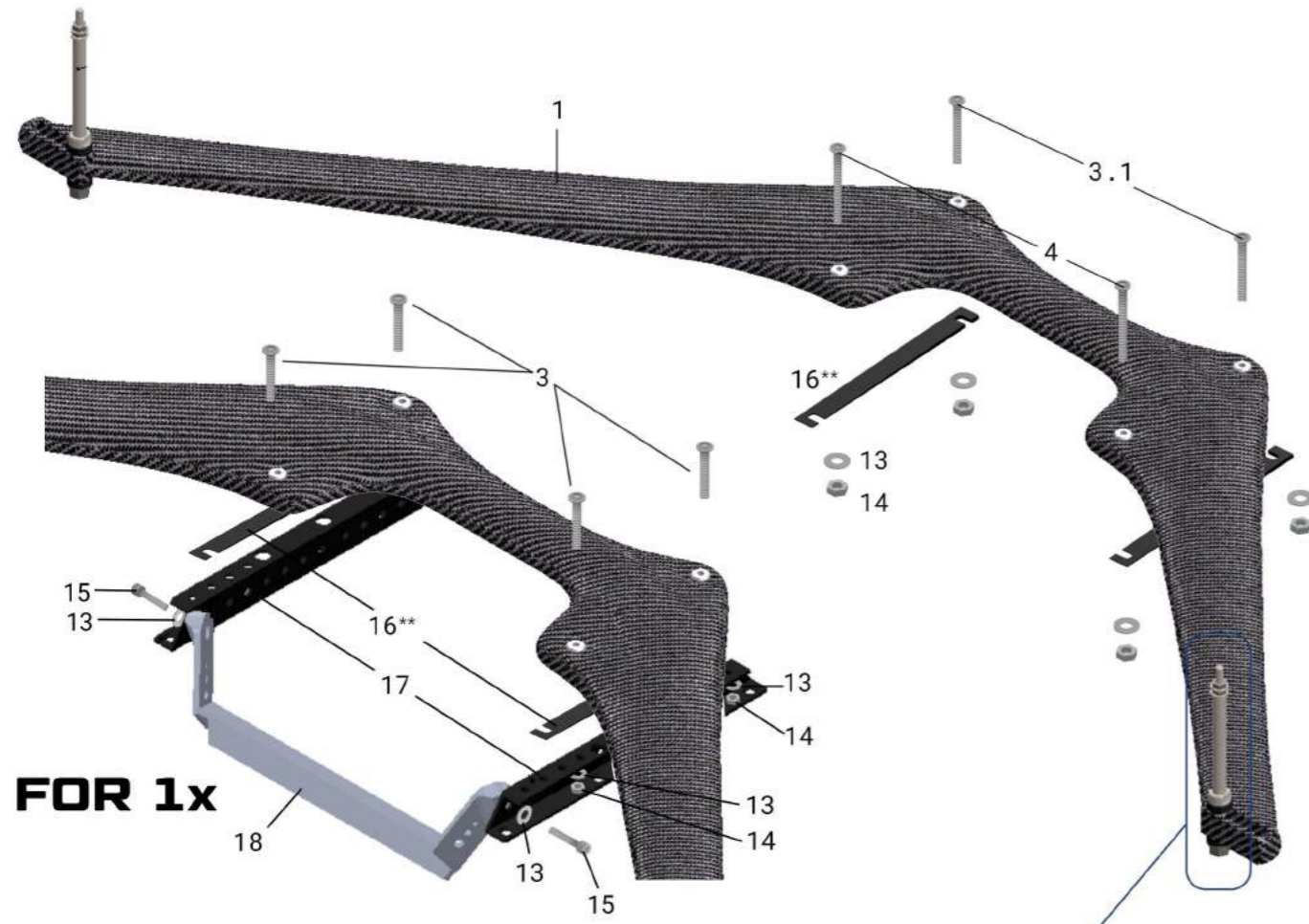
! ALWAYS PROVIDE THE SERIAL NUMBER OR TYPE OF BOAT PROVIDE ONLY THE CODE OF THE SPARE PARTS YOU NEED



N°	Code	Description
	VABPWC000	*Complete monolithic carbon wing sweep rigger
	VABPWC015	*Monolithic carbon wing sweep rigger with stainless steel pin and 5th tube without oarlock
	VABPWC015PT	*Monolithic carbon wing sweep rigger with titanium pin and 5th tube without oarlock
	VACOPEALE24	Bag for wing sweep rigger
1	VABPWC000S	* Monolithic carbon wing sweep rigger - frame only
2	VABPXC010	Stainless steel pin for sweep rowing oarlock
2	VABXMC048	Titanium pin for sweep oarlock
3	AVBAMM608704	Bolts tbce C / flange A-4 M 6.0 x 40 stainless steel
4	AVBA4M6030	Bolts tbce C / flange A-4 M 6.0 x 30 stainless steel
5	VABXXT005	Aluminum washer SP 5 mm for height
6	AVD12UNIA	Stainless steel nut M12 self-locking
7	VABXXA012A	stainless steel washer 12
8	VABXXM010	Black washer for height adjustment
9	VABXXA008A	Stainless steel washer 8 UNI 6592 AISI 316 X TE
10	AVD8	Stainless steel nut M8
11	VABXMC070	Set of inclined washers for side adjustment pin
12	VABXMC070L	Set of inclined washers for longitudinal adjustment pin (4 pcs)
13	VABXXA006A	6 uni stainless washer 6592A316X TE
14	AVDESAG	Hex nut. A4 316 L M6
20	VABCXC0473	Universal spike sockets sweep Concept II art. 473
21	VABPXC005	Concept II nylon oarlock

* provide the serial number of the boat and the seat position

! ALWAYS PROVIDE THE SERIAL NUMBER OR TYPE OF BOAT PROVIDE ONLY THE CODE OF THE SPARE PARTS YOU NEED



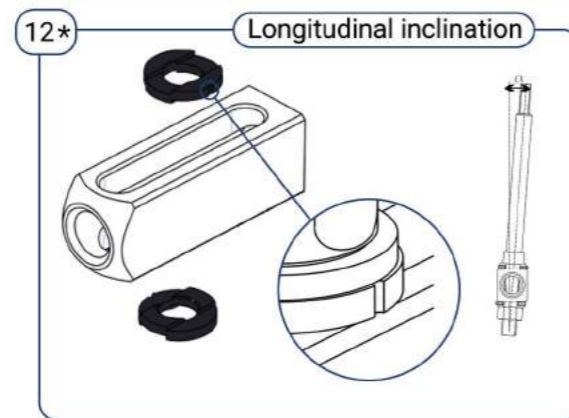
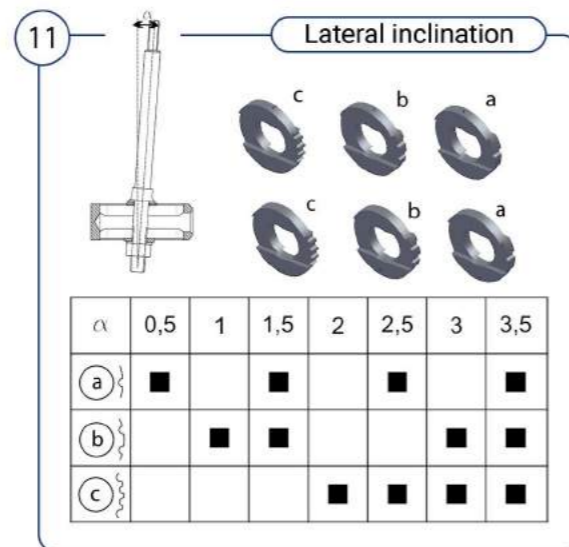
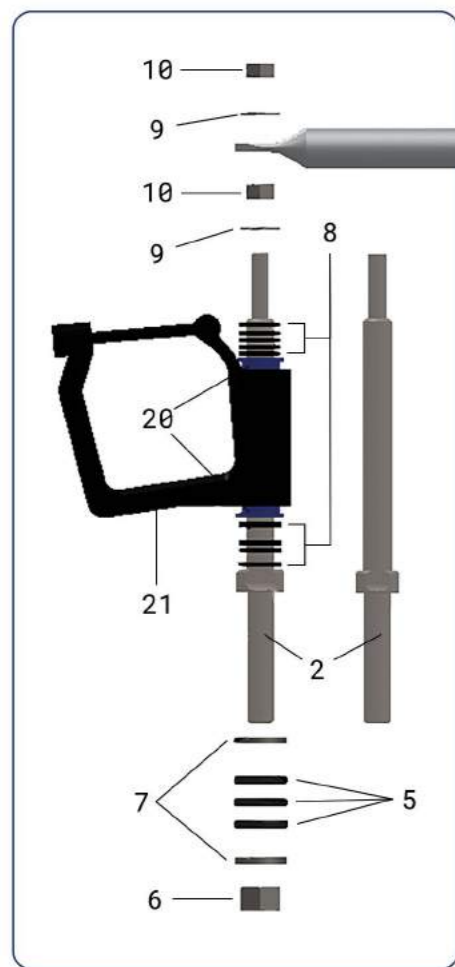
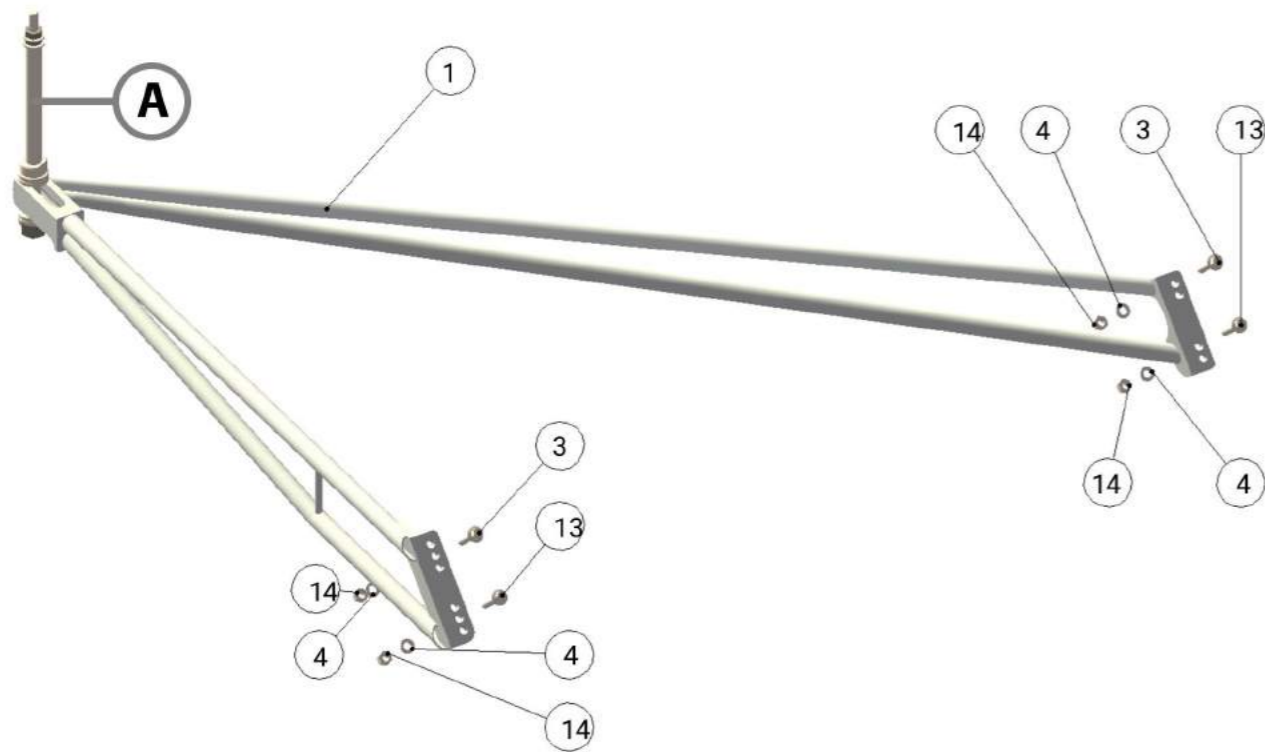
N°	Code	Description
	VABCWC000PT	*Monolithic carbon wing scull rigger compl. of 5th tube, titanium pins and oarlock.
	VABCWC015PT	*Monolithic carbon wing scull rigger compl. of 5th tube, titanium pins, without oarlock.
	VACOPEAL23	Cover for wing scull rigger
1	VABCWC010S	*Monolithic carbon wing rigger without accessories, frame only
2	VABCXC010	Stainless steel pin for scull rowing oarlock
2	VABXMC047	Titanium pin for scull rowing oarlock
3	AVBA4M6050	TBCE Bolts C/Flange A 4M 6.0X50 (for 1x)
3.1	AVBAMM608704	TBCE C/flange bolts at 4M 6.0X70 (for 2x and 4x)
4	AVBAMM60804	TBCE C/flange bolts at 4M 6.0X80 (for 2x and 4x)
5	VABXXT005	Aluminum washer SP 5 mm for height
6	AVD12UNIA	Stainless steel nut M12 self-locking
7	VABXXA012A	stainless steel washer 12
8	VABXXM010	Black washer for height adjustment
9	VABXXA008A	Stainless steel washer 8 UNI 6592 AISI 316 X TE
10	AVD8	Stainless steel nut M8
11	VABXMC070	Set of inclined washers for side adjustment pin
12	VABXMC070L	Set of inclined washers for longitudinal adjustment pin (4 pcs)
13	VABXXA006A	6 uni stainless washer 6592A316X TE
14	AVDESAG	Hex nut. A4 316 L M6
15	AVV6020A	Bolt allen head cylinder M 6X20
16	VABCXTAA	Wedge for reg. height, wing scull rigger
17	VABCWC015	Anodized aluminium blocks for 1x wing rigger
18	VAPEX4020W	Aluminium crossbar for wing rigger
20	VABCXC0474	Universal spike sockets scull Concept II art. 474
21	VABCXC005	Concept II nylon oarlock for sculling

* provide the serial number of the boat and the seat position

** optional

! ALWAYS PROVIDE THE SERIAL NUMBER OR TYPE OF BOAT PROVIDE ONLY THE CODE OF THE SPARE PARTS YOU NEED

4 STAY SWEEP ALUMINIUM RIGGER



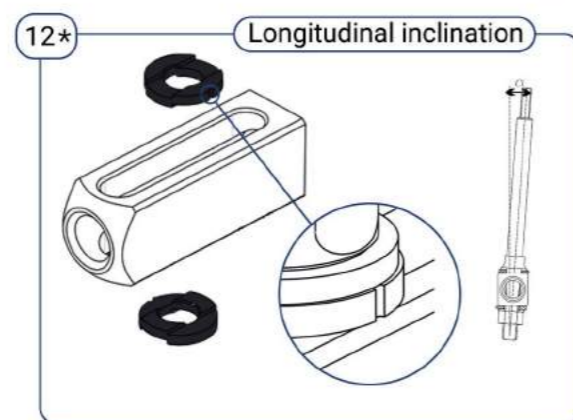
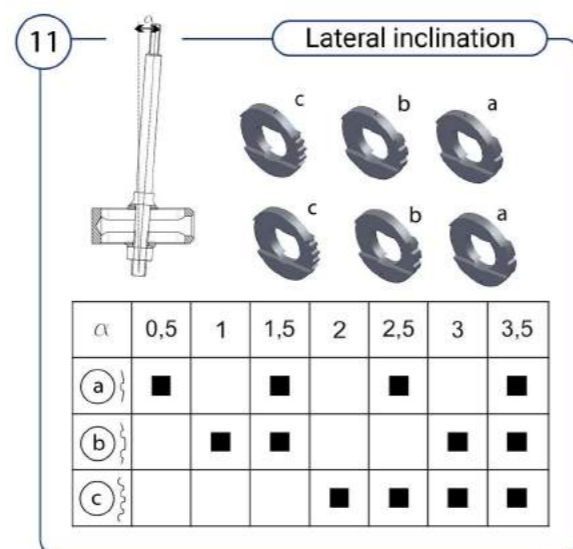
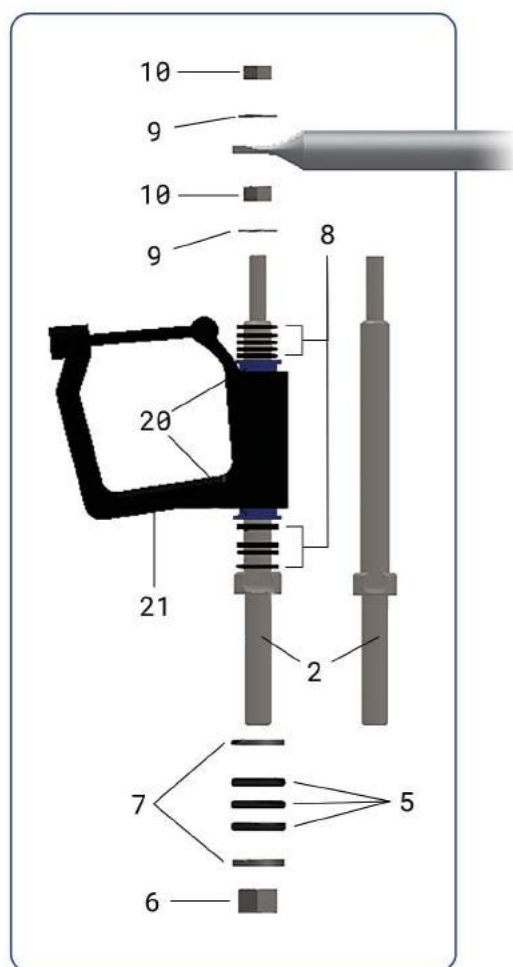
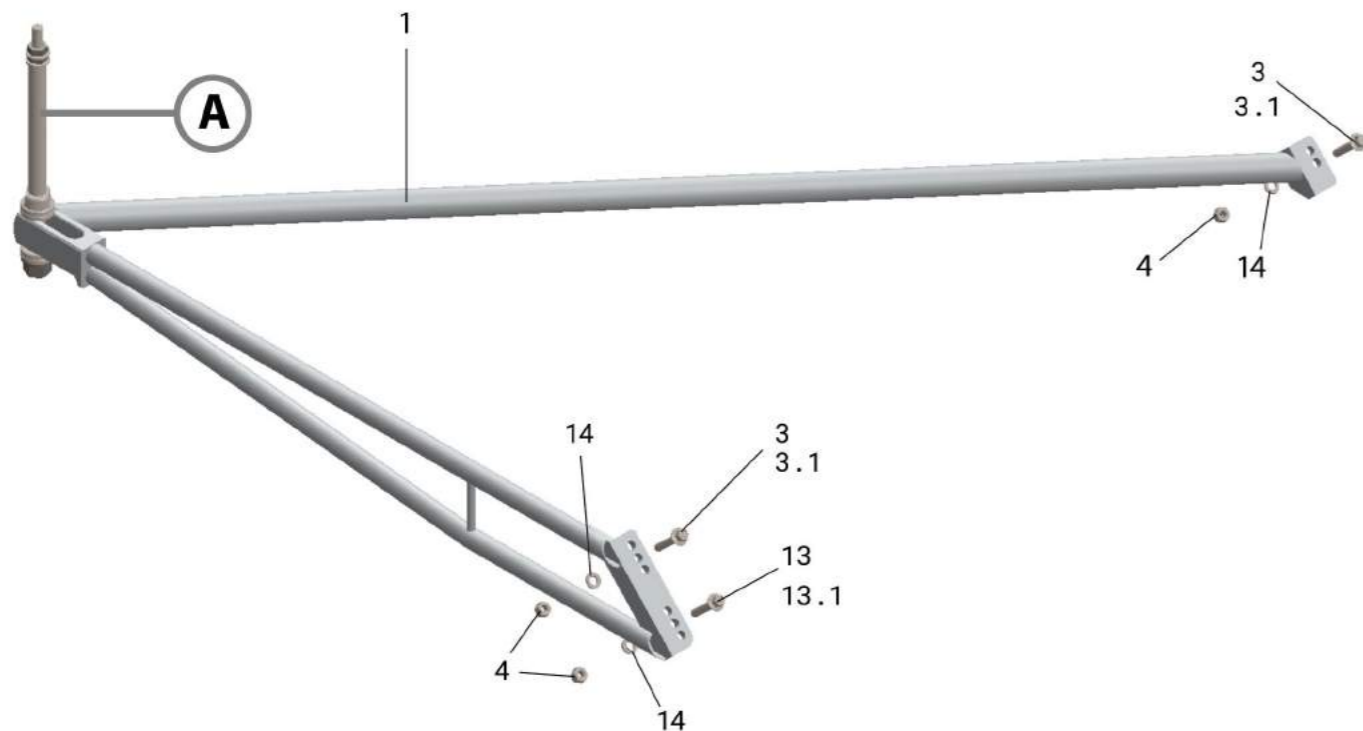
N°	Code	Description
	VABP5T000	* 4-pipe alloy sweep wing compl. with 5th tube, complete
	VABP5T015	* 4-pipe alloy sweep wing compl. with 5th tube and stainless pin without oarlock
1	VABP4T010	* 4-tube alloy sweep wing - frame only
2	VABPXC010	Stainless steel pin for sweep rowing oarlock
2	VABXMC048	Titanium pin for sweep oarlock
3	AVBA4M6040	TBCE C/flange Bolts A-4 m 6.0 x 40 stainless steel for 2+ 2- 4+ 4-
4	VABXA006A	Washer 6
5	VABXT005	Aluminum washer SP 5 mm for height
6	AVD12UNIA	Stainless steel nut M12 self-locking
7	VABXA012A	stainless steel washer 12
8	VABXM010	Black washer for height adjustment
9	VABXA008A	Stainless steel washer 8 UNI 6592 AISI 316 X TE
10	AVD8	Stainless steel nut M8
11	VABXMC070	Set of inclined washers for side adjustment pin
12	VABXMC070L	Set of inclined washers for longitudinal adjustment pin (4 pcs)
13	AVBA4M6050	TBCE C/flange Bolts A-4 m 6.0 x 50 stainless steel for 8+
14	AVDESAG	Nut M6
20	VABCXC0473	Universal spike sockets sweep Concept II art. 473
21	VABPXC005	Concept II nylon oarlock

* provide the serial number of the boat and the seat position

! ALWAYS PROVIDE THE SERIAL NUMBER OR TYPE OF BOAT PROVIDE ONLY THE CODE OF THE SPARE PARTS YOU NEED

3 STAY SCULL ALUMINIUM RIGGER

2020 Filippi Spare Parts List



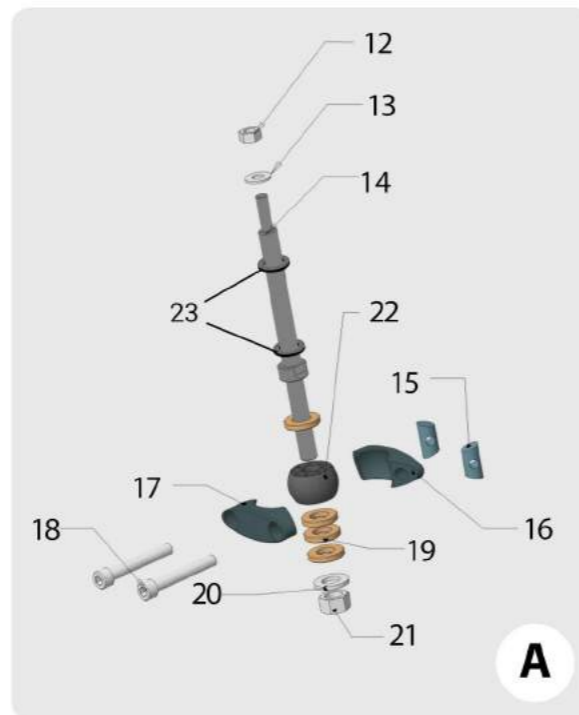
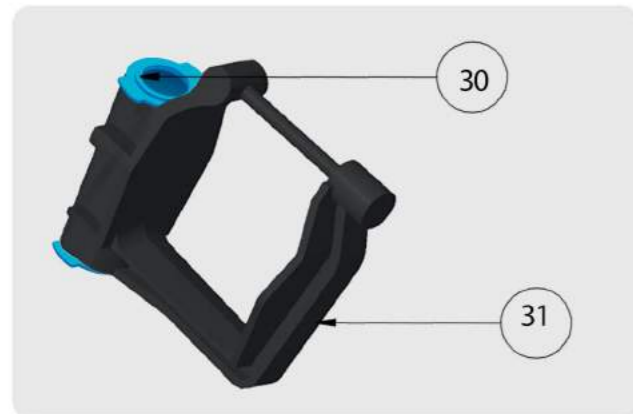
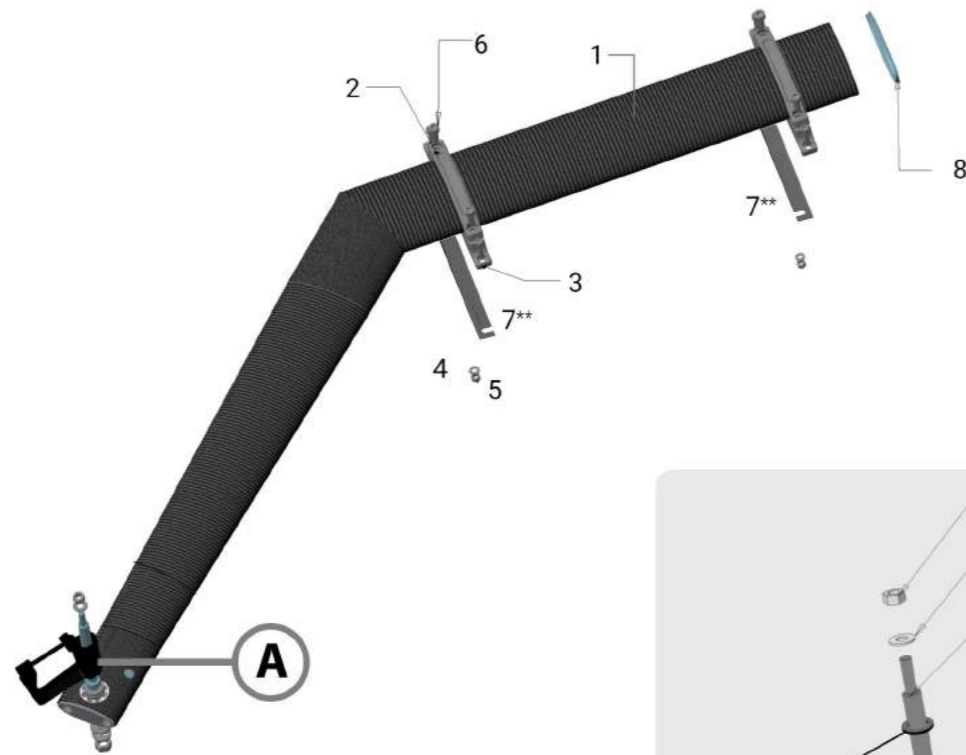
N°	Code	Description
	VABC3T015	* 3-tube alloy scull rigger complete with 5th tube and stainless steel pin without oarlock
	VABC3T016	* 3-tube alloy scull rigger compl. with 5 th pipe, stainless steel pin and oarlock
1	VABC3T010	* 3-tube alloy scull rigger - frame only
2	VABCXC010	Stainless steel pin for oarlock for sculling
2	VABXMC047	Titanium pin for oarlock for sculling
3	AVBA4M6030	TBCE C/flange Bolts A-4 m 6.0 x 30 stainless steel for 1X
3.1	AVBA4M6040	TBCE C/flange Bolts A-4 m 6.0 x 50 for 2X 4X
4	AVDESAG	Nut M6
5	VABXXT005	Aluminum washer SP 5 mm for height
6	AVD12UNIA	Stainless steel nut M12 self-locking
7	VABXXA012A	stainless steel washer 12
8	VABXXM010	Black washer for height adjustment
9	VABXXA008A	Stainless steel washer 8 UNI 6592 AISI 316 X TE
10	AVD8	Stainless steel nut M8
11	VABXMC070	Set of inclined washers for side adjustment pin
12	VABXMC070L	Set of inclined washers for longitudinal adjustment pin (4 pcs)
13	AVBA4M6040	TBCE C/flange Bolts A-4 m 6.0 x 40 stainless steel for 1X
13.1	AVBA4M6050	TBCE C/flange bolts A-4 m 6.0 x 50 stainless steel for 2X 4X
14	VABXXA006A	Washer 6
20	VABCXC0474	Universal spike sockets scull Concept II art. 474
21	VABCXC005	Concept II nylon oarlock for sculling

* provide the serial number of the boat and the seat position

! ALWAYS PROVIDE THE SERIAL NUMBER OR TYPE OF BOAT PROVIDE ONLY THE CODE OF THE SPARE PARTS YOU NEED

SWEEP CARBON WING RIGGER (360° pitch)

2020 Filippi Spare Parts List



N°	Code	Description
	VABPWCCC	*carbon wing sweep rigger complete with clamp
	VABPWCS	*Carbon wing sweep rigger - frame and clamp only
1	VABCWCPC	*Carbon wing sweep rigger with pin and clamp without oarlock
2	ASPALLGSP	Upper clamp for fixing carbon wing sweep rigger
3	ASPALLGIP	Lower clamp for fixing carbon wing sweep rigger
4	VABXXA006A	Stainless steel washer 6
5	AVDESAG	Stainless steel nut M6
6	AVV815MC	Screw M8 x 15 Allen head bolt cylinder
7	VABCXTAP	Nylon wedges for wing sweep rigger
8	VABXWC050	Aluminium end cap for carbon wing rigger
12	AVD8	Nut M8
13	VABXXA008A	Washer 8
14	VABPXC010	Stainless steel pin for sweep rowing oarlock
14	VABXMC048	Titanium pin for sweep oarlock
15	ASPALLM8	Cylindrical nut M8 x protective bow ball for carbon wing rigger
16	ASPALLTCGI	Carbon wing rigger outer jaw
17	ASPALLTCG1	Carbon wing rigger inner jaw
18	AVV855	Screw 8 x 15 Allen head bolt cylinder
19	VABXT005	Aluminum washer SP 5 mm for height
20	VABXXA012A	Washer 12
21	AVD12UNIA	Stainless steel nut M12 self-locking
22	ASPALLTP	Ball for carbon wing sweep rigger
23	VABXXM010	Black washer for height adjustment
30	VABCXC0474	Universal spike sockets scull Concept II art. 474
31	VABCXC005	Concept II nylon pair oarlock

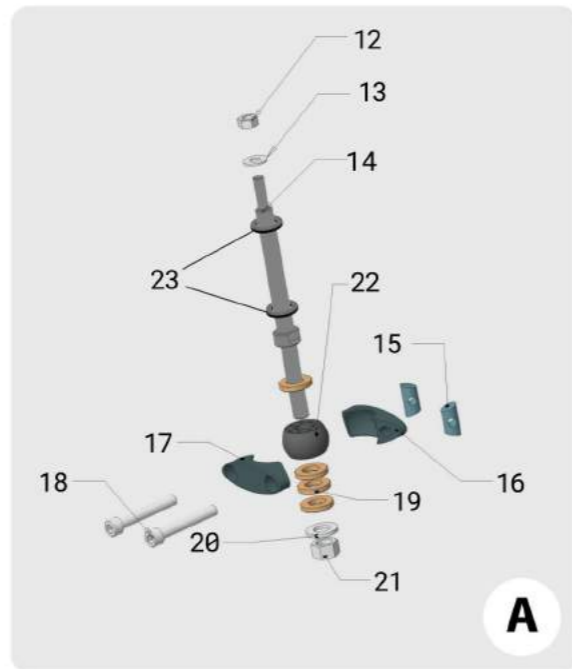
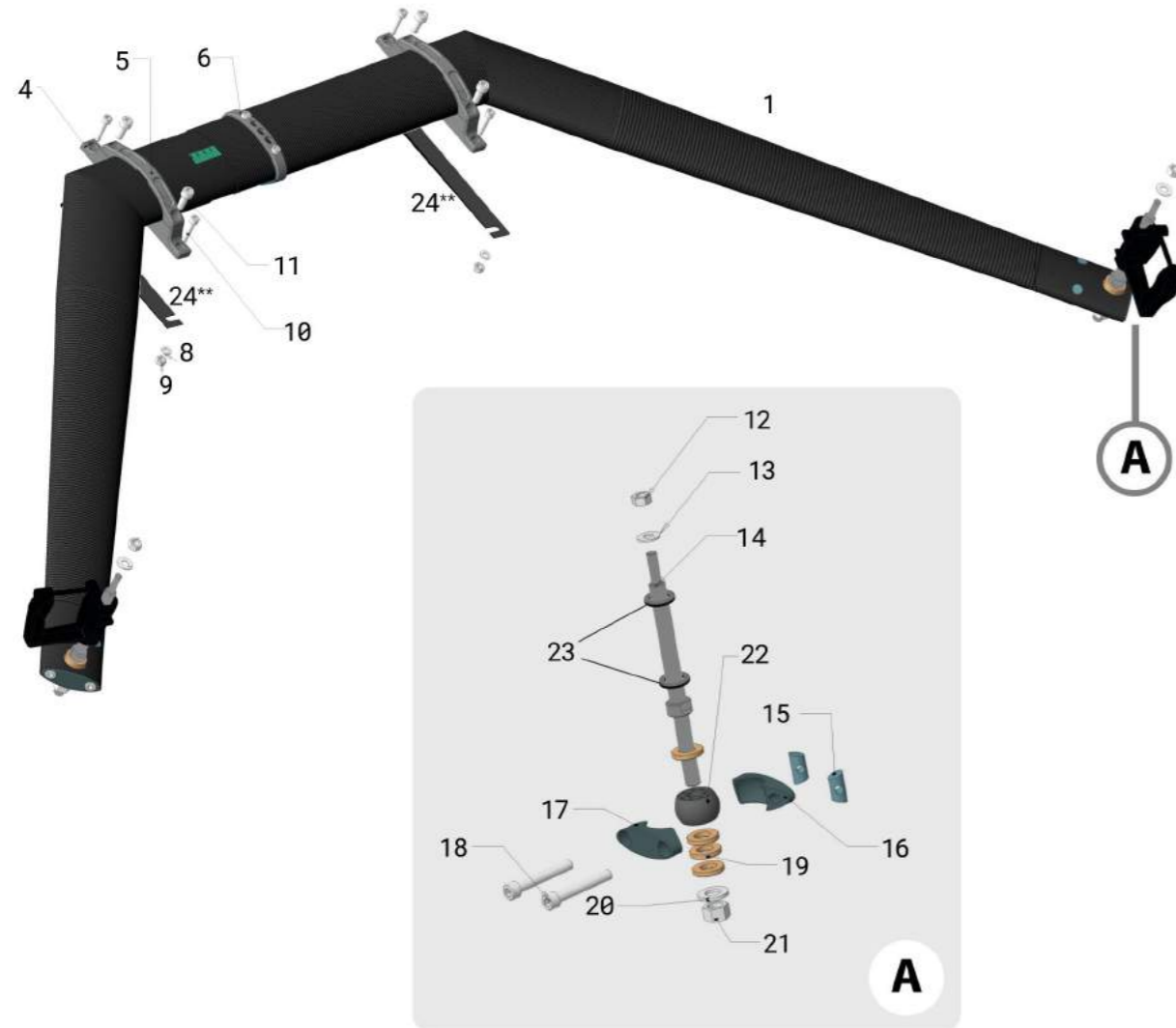
* provide the serial number of the boat and the seat position

** optional

! ALWAYS PROVIDE THE SERIAL NUMBER OR TYPE OF BOAT PROVIDE ONLY THE CODE OF THE SPARE PARTS YOU NEED

SCULL CARBON WING RIGGER (360° pitch)

2020 Filippi Spare Parts List



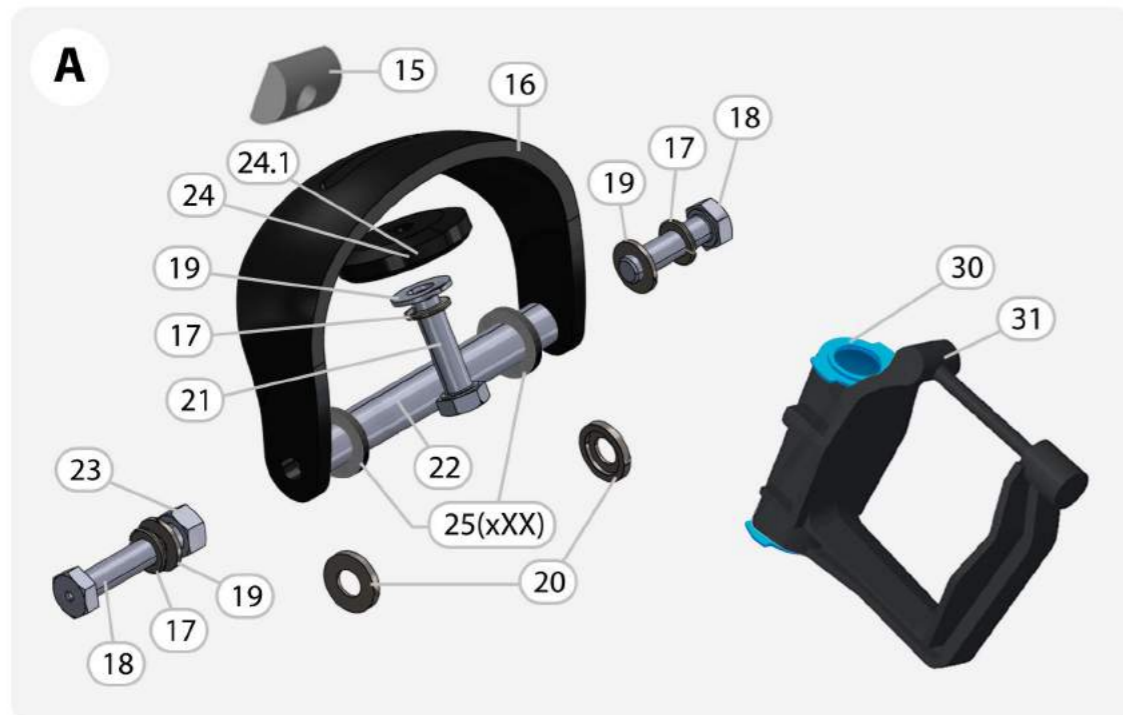
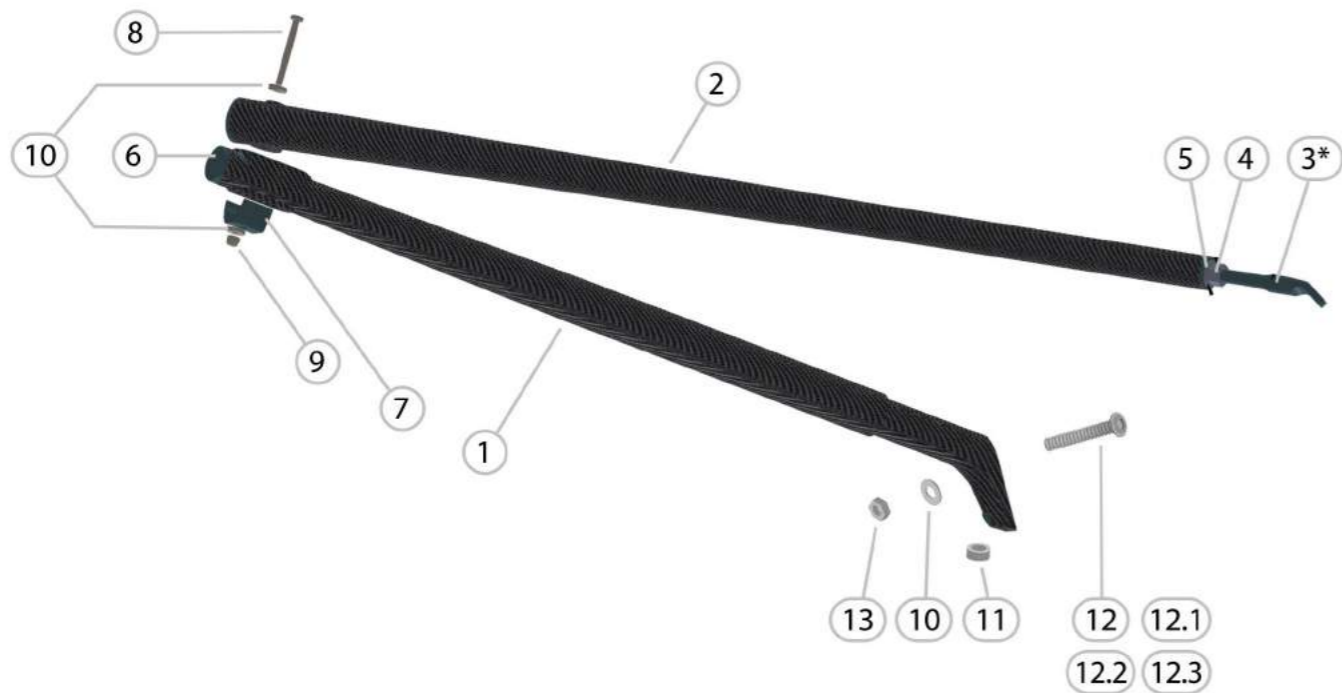
N°	Code	Description
	VABCWCCC	*Carbon scull rigger complete with clamp
1	VABCWCSC	*Carbon wing scull rigger - frame and clamp only
	VABCWCPC	*Carbon wing scull rigger with pin and clamp without oarlock
4	ASPALLGS	Upper clamp for fixing scull rigger to boat
5	ASPALLGI	Lower clamp for fixing scull rigger to boat
6	VABCWC050	Aluminium clamp for fixing rigger components, complete with screws
8	VABXXA006A	Washer 6
9	AVDESAG	Nut M6
10	AVV6030A	Allen head bolt cylinder M6X30
11	AVV815MC	Screw M8 x 15 Allen head bolt cylinder
12	AVD8	Nut M8
13	VABXXA008A	Stainless steel washer 8 UNI 6592 AISI 316 X TE
14	VABXMC047	Titanium pin for oarlock for sculling
14	VABCXC010	Stainless steel pin for oarlock for sculling
15	ASPALLM8	Cylindrical nut M8 x protective bow ball for carbon wing rigger
16	ASPALLTCGI	Carbon wing rigger outer jaw
17	ASPALLTCG1	Carbon wing rigger inner jaw
18	AVV855	Screw 8 x 15 Allen head bolt cylinder
19	VABXXT005	Aluminum washer SP 5 mm for height
20	VABXXA012A	stainless steel washer 12
21	AVD12UNIA	Stainless steel nut M12 self-locking
22	ASPALLTC	Ball carbon wing scull rigger
23	VABXXM010	Ball for carbon wing scull rigger
24	VABCXTAA	Wedge for reg. height, wing scull rigger
30	VABCXC0474	Universal spike sockets scull Concept II art. 474
31	VABCXC005	Concept II nylon pair oarlock

* provide the serial number of the boat and the seat position

** optional

! ALWAYS PROVIDE THE SERIAL NUMBER OR TYPE OF BOAT PROVIDE ONLY THE CODE OF THE SPARE PARTS YOU NEED

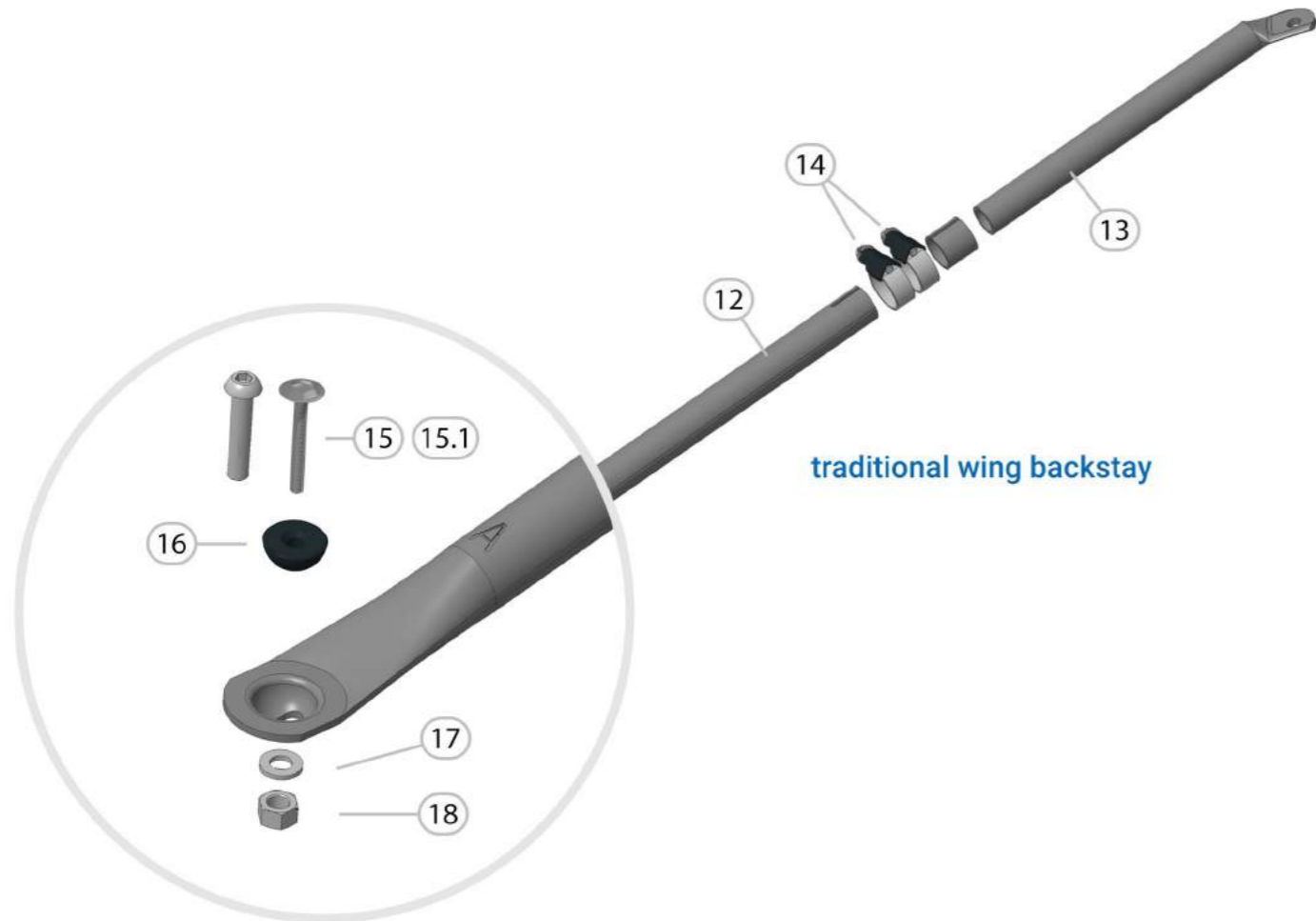
CARBON TUBULAR SWEEP / SCULL RIGGER



N°	Code	Description
	VABCMC000	* Single-tube carbon scull rigger complete with hilt, pin and oarlock
	VABPMC000	* Single-tube carbon sweep wing rigger complete with hilt, pin and oarlock
	VABCMC005	* Single-tube carbon scull rigger complete with hilt, without pin and oarlock
	VABPMC015	* Single-tube carbon wing sweep rigger complete with hilt, pin and oarlock
	VABXF203	Stainless steel bushing for Centina
7	VABXMC060	Black Aluminium clevis bracket
4	AVD12UNI	Nut M12
25	VABXXM010	Black washer for height adjustment
10	VABXXA618A	Washers 6 x 18 316 stainless steel wide band
9	AVD6A	Self-locking stainless steel nut 6 D985
8	AVB60100	Stainless steel bolts TE 6.0 x 100 UNI 5737
	VAPEF284	Stainless steel plate opening adjustment scull/sweep
3	VABXMC085	Aluminium fitting for carbon compression tube
10	VABXXA006A	Stainless steel washer 6
5	VABXXA012A	Stainless steel washer 12 mm
6	VABXMC050	Threaded aluminium caps for carbon rigger
2	VABCMC010	Carbon compression tube complete inserts - scull
2	VABPMC010	Carbon compression tube complete inserts - sweep
1	VABCMC020	Carbon support tube complete with foot for scull
1	VABPMC020	Carbon support tube complete with foot for sweep
12	AVBA4M6040	TBCE C/flange Bolts A-4 m 6.0 x 40 stainless steel for 1X
12.1	AVBA4M6050	TBCE C/flange bolts A-4 m 6.0 x 50 stainless steel for 2X
12.2	AVBA4M6060	TBCE C/flange bolts A-4 m 6.0 x 60 stainless steel for 4X
12.3	AVBAMM60100	TBCE C/flange bolts A-4 m 6.0 x 100 stainless steel for 8+
13	AVDESAG	Nut M6
	AVV835BC	Screw m 8x35 scull
	AVV855BP	Screw m 8x55 sweep
	AVV315MC	Screw m 3X15
	VACOPEAL25	Cover for carbon fibre rigger
HILT TABLE		
16	VABXMC010	Aluminium hilt scull and sweep, without pin and oarlock
16+22	VABXMC015	Aluminium hilt scull and sweep, without pin and oarlock
16+22+31	VABXMC020	Aluminium hilt for sculling and sweeping, with pin and oarlock
17	VABXXGL8	8mm glower washer
18	AVB830ES	M8x30 centred bolts
19	VABXXA008A	Stainless steel flat washer 8 mm
20	VABXXGL8E	8 washer for hilt
21	AVBA48035	Allen screw M8x35
22	VABXMC045	Stainless steel pin for carbon arm
23	AVD8	stainless steel nut 8
24	VABXMC105	Heavy-duty aluminium washers for blocking scull carbon hilt
24.1	VABXMC110	Heavy-duty aluminium washers for blocking sweep carbon hilt
30	VABCXC0473	Universal spike sockets sweep Concept II art. 473
31	VABPXC005	Concept II nylon sweep oarlock
31	VABCXC005	Concept 2 scull oarlock
30	VABCXC0474	Universal spike sockets scull Concept II art. 474

* provide the serial number of the boat and the seat position

! ALWAYS PROVIDE THE SERIAL NUMBER OR TYPE OF BOAT PROVIDE ONLY THE CODE OF THE SPARE PARTS YOU NEED



BACKSTAY FOR WING RIGGER

N°	Code	Description
	VABXC020	fifth black anodized alloy tube with terminal
12	VABX5T020	fifth black anodized alloy tube without terminal
13	VABX5T005DX	anodized alloy spout for 5th tube Right
13	VABX5T005SX	anodized alloy spout for 5th tube Left
14	VABX5T010	Stainless steel clamp
15.1	AVV6030A	6.0 X 30 Allen key cylindrical head (only for single)
15	AVBA4M6030	TBCE C/flange bolts A-4 M 6.0 x 30 stainless steel
16	ASPALLTC5	semi-sphere in pom for 5th tube
17	VABXA006A	Stainless steel washer 6
18	AVDESAG	Nut M6

TRADITIONAL ALUMINIUM BACKSTAY

N°	Code	Description
	VABX5T000	Fifth tube complete with clamps and spout
1	VABX5T030	Fifth alloy tube without end cap with welded foot
2	VABX5T005DX	Alloy spout for 5th tube Right
2	VABX5T005SX	Alloy spout for 5th pipe Left
5	VABX5T010	Stainless steel clamp
6	VABXA006A	Stainless steel washer 6
7	AVV6030A	M6x30 flanged head screw
8	AVDESAG	Nut M6

provide the serial number of the boat and the seat position

! ALWAYS PROVIDE THE SERIAL NUMBER OR TYPE OF BOAT PROVIDE ONLY THE CODE OF THE SPARE PARTS YOU NEED

CARBON BACKSTAY



Carbon backstay

N°	Code	Description
1+2+3+4+5	VABX5T0001	*Wing section carbon backstay tube "Backstay C01"
2	VABPX5T	Threaded foot for fifth tube
3	AVD12X5T	Aluminium M12 nut for fifth tube
4	AVDREG	Adjustment nut for fifth tube M12
5	VABXXM010	Black washer for height adjustment
6	AVBA4M6030	TBCE C/flange bolts A4 M 6.0 x 30 stainless steel
7	ASPALLTC5	Black PVC half sphere for fifth tube new
8	VABXXA006A	6mm washer
9	AVDESAG	Nut M6

ADJUSTABLE BACKSTAY



Adjustable backstay

N°	Code	Description
15+16+17+18+19	VABX5T040SX	*5^ aluminium tube reg. complete with ox grey suit, Left
15+16+17+18+19	VABX5T040DX	*5^ aluminium tube reg. ox grey suit, Right
16	VABPX5T	Threaded foot for fifth tube
17	AVD12X5T	Aluminium M12 nut for fifth tube
18	AVDREG	Adjustment nut for fifth tube M12
19	VABXXM010	Black washer for height adjustment
20	AVBA4M6030	TBCE C/flange bolts A4 M 6.0 x 30 stainless steel
20.1	AVV6030A	Allen head bolt cylinder M6X30 (only for 1X)
21	ASPALLTC5	Black PVC half sphere for fifth tube new
22	AVDESAG	Nut M6
23	VABXXA006A	Washer 6

* provide the serial number of the boat and the seat position

! ALWAYS PROVIDE THE SERIAL NUMBER OR TYPE OF BOAT PROVIDE ONLY THE CODE OF THE SPARE PARTS YOU NEED

OTHER ACCESSORIES

FOLDING STAND

Code	Description
VAVAXA001	folding stand in aluminum alloy (with band for load for 3000kg)

Measures (closed)	Measures (open)
max thickness: 7cm	height: 75cm
height: 108cm	width: 76cm (63cm at the base)
width: 58cm	length: 57cm



OARS

Code	Description
	SWEEP OARS
VIREPUCIIDX	Sweep oars Smoothie 373-378 DX
VIREPUCIISX	Sweep oars Smoothie 373-378 SX
VIREP2CIILVDX	Sweep oars 373-378 wooden right
VIREP2CIILVSX	Sweep oars 373-378 wooden left
VIREPUCIIVSX	Sweep oar Smoothie Vortex 373-378 LEFT
VIREP2CIIDX	Sweep oar Smoothie Vortex 373-378 RIGHT
VIREP2CIILDX	Sweep oars 373-378 wooden RIGHT
VIREP2CIILSX	Sweep oars Smoothie 376 wooden LEFT Ultralight
VIREP2CIISX	Sweep oars Skinny med 373-378 RIGHT
VIREP2CIISX	Sweep oars Skinny med 373-378 LEFT
VIREP2CIIS0DX	Sweep oars Skinny med 373-378 RIGHT
VIREP2CIIS0SX	Sweep oars Skinny med 373-378 RIGHT
VIREPP2CIIFV7DX	Sweep oars Skinny fat vortex soft 365-370 RIGHT
VIREPP2CIIFV7SX	Sweep oars Skinny fat vortex soft 365-370 LEFT
VIREP2CIIFVDX	Sweep oars Skinny fat vortex soft 364-369 RIGHT
VIREP2CIIFVSX	Sweep oars Skinny fat vortex soft 364-369 LEFT
VIREPUCIIBDX	Sweep oar BB-Reg. 373-378 RIGHT
VIREPUCIIBSX	Sweep oar BB-Reg. 373-378 LEFT
VIREPUCIIBLDX	Sweep oar BB-376 wooden RIGHT
VIREPUCIIBLSX	Sweep oar BB-376 wooden LEFT
VIREPC2COMPSX	Sweep oar Skinny paddle Comp LEFT
VIREPC2COMPDX	Sweep oar Skinny paddle Comp RIGHT
	SCULLING OARS
VIRECC2270SXM	Sculling oars Smoothie Remo 270-275 Reg. med LEFT
VIRECC270DX	Sculling oars Smoothie Remo 270-275 Reg. med RIGHT
VIRECC285DX	Sculling oars Smoothie Remo 285-290 Reg. med RIGHT
VIRECC285XM	Sculling oars Smoothie Remo 285-290 Reg. med LEFT
VIRECC2CMDX	Sculling oars Smoothie Remo 285-290 Reg. med RIGHT
VIRECC2CIISXM	Sculling oars Smoothie Remo 284-289Reg. med LEFT
VIRECC2CIIDX	Sculling oars Smoothie Remo 287-292Reg. med RIGHT
VIRECC2CIISX	Sculling oars Smoothie Remo 287-292Reg. med LEFT
VIRECC0CIIBDX	Sculling oars Smoothie Remo 248-253 Reg. RIGHT
VIRECC0CIIBSX	Sculling oars Smoothie Remo 248-253 Reg. LEFT
VIRECC2VXDX	Sculling oars Smoothie Vortex 287-292 RIGHT
VIRECC2VXSX	Sculling oars Smoothie Vortex 287-292 LEFT
VIRECC0SKDXS1	Sculling oars Skinny 287-292 soft RIGHT
VIRECC0SKXS1	Sculling oars Skinny 287-292 soft LEFT

2020 Filippi Spare Parts List

Code	Description
VIRECC0SKDXM	Sculling oars Skinny 287-292 med RIGHT
VIRECC0SKXSX	Sculling oars Skinny 287-292 med LEFT
VIRECC0SKDXM1	Sculling oars Smoothie Remo 284-289 med RIGHT
VIRECC2MSXM	Sculling oars Smoothie Remo 284-289 med LEFT
VIRECC0SKDXS	Sculling oars Smoothie Remo 284-289 soft RIGHT
VIRECC2MSX	Sculling oars Smoothie Remo 284-289 soft LEFT
VIREBBCIIDX	Sculling oars Smoothie Remo 287-292 reg RIGHT
VIREBBCIISX	Sculling oars BB 287-292 reg LEFT
VIRECMCIIDX	Sculling oars Fat 243-248 soft RIGHT
VIRECMCIISX	Sculling oars Fat 243-248 soft LEFT
VIRECOST295DX	Sculling training oars HM-31mm 295 RIGHT
VIRECOST295SX	Sculling training oars HM-31mm 295 LEFT
VIRECC2COMPSX	Sculling oar Skinny paddle Comp LEFT
VIRECC2COMPDX	Sculling oar Skinny paddle Comp RIGHT
	SCULLING OARS CROKER
VIRECCOCKDX	Sculling oars Croker S39 RIGHT
VIRECCOCKSX	Sculling oars Croker S39 LEFT
VIRECCOKS2S	Sculling oar Croker S2 soft full carbon RIGHT
VIRECCOKS2SSX	Sculling oar Croker S2 soft full carbon LEFT
VIRECCOKS4SDX	Sculling oar Croker S4 soft RIGHT
VIRECCOKS4SSX	Sculling oar Croker S4 soft LEFT
VIRECCOKS4TDX	Sculling oar Croker S4 stiff RIGHT
VIRECCOKS4TSX	Sculling oar Croker S4 stiff LEFT
	OARS ACCESSORIES
VAVAIMP01	L-shaped angle finder for oars
VAVAREVORS	Vortex Concept II sculling bushings art. 804BX
VAVAREVOR	Vortex Concept II sweep bushings art. 803BX
VAVARECP	Clam sleeve for scull/sweep C2 oars
VAVAREA02	Scull collar for C2 oars
VAVAREA03	Sweep collar for C2 oars
VAVAREAC06	Wooden HAND STRAPS, scull
VAVAREAP05	Wooden handle concepte 2 D4. 5 art. 182, sweep
VAVAREAP1	Adjustable carbon handle without grip, scull
VAVAREARP1	Adjustable carbon handle without grip, sweep
VAVAREARC	Adjustable carbon handle without grip, scull
VAVAREARP	Fixed point carbon handle without grip, sweep
VAVAREA021	Sleeve, sweep, C 2 black/green
VAVAREA020	Sleeve, sweep, C 2 complete white
VAVAREA022	Sleeve, scull, C 2 black/green
VAVAREA06	Grip C2 c/p with plastic holder
VAVAREA01	Grip for sculling oars CII black reg. art. 191
VAVAREA05A	Grip for oars compl. CII blue reg. D. 35 reg.
VAVAREA05B	Grip for sculling oars CII Green adjustable D. 34. 5 Art 566
VAVAREA16	Grip, sweep (intermediate)
VAVAREAZ1	Grip cop. reg. blue sponge reg.33 art. 547
VAVAREA07	Blade, scull, BB/ Smoothie
VAVAREA08	Blade, sweep, BB/ Smoothie

! ALWAYS PROVIDE THE SERIAL NUMBER OR TYPE OF BOAT PROVIDE ONLY THE CODE OF THE SPARE PARTS YOU NEED

Code	Description
VABCXC00396	Grip for oarlock
VAVAREA020B	Wedge sleeve white scull C2 art. 181
VAVAREA020C	Wedge sleeve white sweep C2
VAVAREA01AZ	Grip sculling oars CII blue, large, Art. 563
VAVAREA05	Grip for oars compl. CII black reg. D.35 art.590
VAVAREA05P	Grip for sweep oars CII Green reg. art. 619
VAVAREA565	Grip for oars compl. CII green reg. D. 32 art. 565
VAVAREA534	Grip for oars compl. CII Orange reg. art. 534
VAVAREA817	Grip for oars compl. CII Orange reg. art. 534
VABPXC005	Concept II nylon oarlock
VABCXC005	Concept II nylon oarlock for sculling
VABCXC0473	Universal spike sockets sweep Concept II art. 473
VAVAREA02P	manicotto di punta bianco
VAVAREA832	manopola punta con ades. microfib diam.32
VAVAREA837	manopola punta con ades. microfib diam.37 art.848
VAVAREA837SK	manop. skinny punta ades. microfib diam.37 art.847
VAVAREA821	Adesivo microfib. per manop. CII punta est art.821
VAVAREA822	Adesivo microfib. per manop. CII punta int art.822

WATER BOTTLES

Code	Description
VAVASC0575	750ml red cap bottle
VAVASC0375	bottle with green cap 750 ml
VAVASC0175	bottle with black cap 750 ml
VAVASC0275	bottle with light blue cap 750 ml
VAVASC0222	bottle with blue cap 600 ml
VAVASC0322	bottle with green cap 600 ml
VAVASC0522	bottle with red cap 600 ml
VAVASC0CC	1x carbon bottle cage
VAVASC0KP	Kit of pins for water bottle fixing

BOAT COVERS

Code	Description
	SKIFF COVERS
VACOPE1ECS01	* Boat cover for 1XF01
VACOPE1ECS07	* Boat cover for 1XF07
VACOPE1ECS14	* Boat cover for 1XF14
VACOPE1ECS15	* Boat cover for 1XF15
VACOPE1ECS22	* Boat cover for 1XF22
VACOPE1ECS44	* Boat cover for 1XF44
VACOPE1ECS45	* Boat cover for 1XF45
VACOPE1ECS50	* Boat cover for 1XF50
VACOPE1H	* Cover for 1x Adaptive
	COVERS FOR DOUBLE [SCULL]
VACOPE251	* Boat cover for 2xf51
VACOPE2ECS13	* Boat cover for 2xf13 high coaming

2020 Filippi Spare Parts List

Code	Description
VACOPE2ECS13W	* Boat cover for 2xf13w low coaming
VACOPE2ECS17	* Boat cover for 2xf17 high coaming
VACOPE2ECS17W	* Boat cover for 2xf17w low coaming
VACOPE2ECS30	* Deck barcaper2XF30 high coaming
VACOPE2ECS30W	* Deck boat 2xf30w low coaming
VACOPE2ECS36	* Boat cover for 2xf36
VACOPE2ECS46	* Boat cover for 2xf46
	COVERS FOR FOUR
VACOPE4ECS19	* Boat cover 4x F19
VACOPE4ECS31	* Boat cover for 4x F31
VACOPE4ECS38	* Boat cover 4x F38
VACOPE4ECS40	* Boat cover 4x F40
VACOPE4ECS43	* Boat cover 4x F43
VACOPE4ECS52	* Boat cover 4x F52
VACOPE4ECS61	* Boat cover 4x F61
	COVERS FOR [COXED] EIGHT
VACOPE8ECS	* cover for 8 + ECS for F41
VACOPE8ECS42	* Cover for 8 + ECS for F42
VACOPE8F49	* Cover for 8+ F49

OTHER ACCESSORIES

Code	Description
AUCRISTO	Cristo (boat loading support)
VAVAIMP02	Inclinometer X carbon riggers (Pitch meter)
VAVASC010	4mm diameter elastic rope for undercarriage
ACNADFILIPPI	FILIPPI adhesive tape roll for packing
VAVAXA002	Rigger measuring stick
AMVDH0192	** Catalyzed spray paint 400 ml blue or white
AVB8050BRFL	Bolt TBCE C/A4 flange 8x50 detachable. 8+until 2019
AVB8070BRFL	Bolt TBCE with flange 8.0 X 70 detachable current 2020
VABXXA832A	Washers 8. 0x32 wide band Aisi 316 stainless steel for detachable 8+
AVD8	Nut stainless steel 8 AISI 316 for detachable 8+
AAARET8+	Black backrest with Filippi logo for rudd.8 + and 4 + TAD
AAARET4+	Black headrest with Filippi logo for rudd.4+
VABXMC0X	Cap with ring for accessory cables
VAVASC001	Bow protection ball
VAVASC006	Plastic number holder
ASPAR0132	Wavebraker extension art. 20. 132
AVRIVE26M4030	Rivets Rivkle RK 26 M4 030 for Wavebraker
AVV4010A4	Screws 4.0 x 10 hexagon socket button head screws (ISO 7380) Wavebraker
AVV4015A4	Screws 4.0 x 15 hexagon socket button head screws (ISO 7380) for Wavebraker
VABXXA004A12	Washer stainless steel 4 X12 wide band A4
VABXXA46798	Washer stainless steel 4 knurled ext. teeth D6798
VAVASC005	Plastic cap diameter 100mm
VAVASC50	Plastic cap diam. 50 mm
VAVASC005B	Cap rod diam. 110 mm

! ALWAYS PROVIDE THE SERIAL NUMBER OR TYPE OF BOAT PROVIDE ONLY THE CODE OF THE SPARE PARTS YOU NEED

Code	Description
VAVASC50T	Plastic cap 50 mm
AAVASC010	Carabiner nylon mm. 6 White x undercarriages
VAPE01004	Laces for orthopedic footstretcher and 8 + Concept art. 1501
AAARETNER1	Rectangular anti-slip dunnage mat black 155X60 mm
AAARETNEERS	Shaped dunnage mat in straw 252.95 X 88.18 (made with Arrow)
VAVASC018	Strap X tie boats mt. 3
ACVMF	Filippi T-Shirt
ACVCAPSILF	Signed Filippi branded hat
AAAFIL2B	"Filippi" blue embossed adhesive writing 70x28 mm
AAAFIL2W	"Filippi" white embossed adhesive writing 70x28 mm
AAAFIL2N	"Filippi" black embossed adhesive writing 70x28 mm
AAAFIL95B	"Filippi" blue embossed adhesive writing 96,4x51,2 mm
AAAFIL95W	"Filippi" white embossed adhesive writing 96,4x51,2 mm
AAAFIL95N	"Filippi" black embossed adhesive writing 96,4x51,2 mm
AMVD6000	Primer D6000 uhs
AMVD8302	Catalyst D8302
AMVD8714	Thinner D8714
ASPAR0*	Wavebraker for boats untill 2017
VASP248W*	Wavebraker fo 2X, 4X, 8+ art.20.196
	COASTAL
VABXMT12	stainless steel bow cleat for coastal art 40.132.12
VABXMT11	PVC bow cleat for coastal art 40.132.12
VAVASC008	Plastic hatch 160 mm
VABXMT0S538	Rowing hatch for coastal art. 18.538.00
VAPEXACT48	Active tools shoes size 43-48
VAVASC06406B	Blue rope for Coastal 6 mm
VAVASC064412	Orange floating rope for coastal 12 mm
VAVASC06444AR	Orange floating rope for coastal 8 mm
VAVASALVCR	Floating life jacket
AASPOTCRW	Elastic black sheet with eyelets for coastal rowing
VABXMT0S913	Black PVC bow cap 160 mm
VACAXAC0A	Aluminium anodized sub-rail for 1X coastal
VAPEX1XC	Rack thickness for 1x Coastal crossbar
VABXMT26308	Camcleat big size for 4x coastal art 56.203.08
VABXMT35500	oar clip holder 35 mm art 34.355.00
VABXMT35502	oar clip holder 40 mm art 34.355.02
VABXMT26300	Camcleat normal size for 4x coastal art 5626300
VACOPE180	Boat cover for 1X Coastal rowing
VACOPE181	Boat cover for 2X Coastal rowing
ASPAROCR	Wavebraker for coastal

NIELSEN-KELLERMAN MERCHANDISE

Code	Description
VACXNK207	Speaker mod. 2 for Cox-Box NK art. 0207B
VACXNK310	Cable for Cox-Box NK modular part m art0292
VACXNK210	Cable for Cox-Box NK modular part A + art0291
VACXNK311	Cox box NK modular cable sensor R art0293
VACXNK300	Cox-box CORE complete 3 speaker-sec, for 8+
VACXNK110G	Unit for Cox-Box GPS NK art 0110G
VACXNK110	Unit for Cox-Box Core NK art 0110
VACXNK200	Cox-Box CORE complete 2 speakers for 4+
VACXNK030	Microphone and headband for COX-BOX NK art 0200
VAIN2NK000	Interval 2000 NK art 02030
VAIN2NK050	Bumper for Interval 2000 NK art 0169
VAIN2NK111B	Cox box rim Bumper NK art 0111
VAIN2NK112B	Cox Box can Bumper NK art 0112
VASCNK030	Magnet for Speed, Stroke and Cox Box NK art 0229
VASCNK011	T-plate, NK art 0280
VASPDKR020	Fin + propeller speed Coach Art 0151
VASPDKR010	Plate for Speed-Coach NK
VASCNK010	Stroke-Coach plate NK
VASPDKGPS183E	Speed Coach GPS2 NK art 0183EU
VASPDKGPS183ET	Speed Coach GPS2 NK with training pack art 0183TEU
VAIN2NK189	Bumper for speed GPS NK art 0189
VASPDK050	Bumper for Stroke and Speed-Coach NK art 0159
VAIN2NK108	Bumper for Cox Box (top) art 0108
VAIN2NK109	Bumper for Cox Box (bottom) art 0109
VASCNK065	Cap for SC and SP batteries with O-ring
VACXNK050	Battery charger for Cox Box NK art 0204
VACXNK060	Cox Box art 0105 battery
VACXNKBAG	Briefcase for cox box NK art 0117
VASCNK0282	Adjustable angle SpeedCoach mount NK art. 0282
VASCNK3179	NK Flex plate for T (nylon part only) art. 3179
VASPDKR236	Clamp plus double-sided plate NK art. 0236
VACXNK040	Plastic cup for Cox-Box NK art. 0298
VACXNK102	Unit Mini CoxBox NK (unit only) art. 0102
VACXNK185	Battery Charger SpeedCoach GPS NK art. 0585EU
VACXNK207X	Flap for loudspeaker mod 2 art. 0207X
VACXNK690	Ring for speaker Mod 2 art. 631690
VASCNKR125	NK StrokeCoach with Surge Rate Art. 0125
VASPDKR129	NK heart rate belt for GPS art. 127
VASPDKSE0187	Empower NK oarlock art.0187 BLU
VACXNK300G	Cox-box GPS complete, 3 speakers-sec, for 8+
VACXNK200G	Cox-Box GPS complete, 2 speakers for 4+
VASCNKW000	stroke coach nk wireless complete

! ALWAYS PROVIDE THE SERIAL NUMBER OR TYPE OF BOAT PROVIDE ONLY THE CODE OF THE SPARE PARTS YOU NEED

F43



F50



F51-02



F51-04



F51-06



F52 BLACK



F53 WHITE



F54



NEW ALIANTE BLACK



F45



F51-01



F51-03



F51-05



F52 TECNO



F52 WHITE



F53 TECNO



F53 BLACK



NEW ALIANTE WHITE



N°	vCode	Description
F43	VAOF43	SUNGLASSES F43
F45	VAOF045	SUNGLASSES F45
F50	VAOF050	SUNGLASSES F50
F51-01	VAOF051	SUNGLASSES F51
F51-02	VAOF05102	SUNGLASSES F51 C02
F51-03	VAOF05103	SUNGLASSES F51 C03
F51-04	VAOF05104	SUNGLASSES F51 C04
F51-05	VAOF05105	SUNGLASSES F51 C05
F51-06	VAOF05106	SUNGLASSES F51 C06
F52	TECNO VAOF052BT	TECHNICAL BLACK F52 SUNGLASSES
F52	BLACK VAOF052B	F52 BLACK SUNGLASSES
F52	WHITE VAOF052W	WHITE F52 SUNGLASSES
F53	WHITE VAOF053W	F53 WHITE SUNGLASSES
F53	TECNO VAOF053BT	TECHNICAL BLACK F53 SUNGLASSES
F54	VAOF054	SUNGLASSES F54 FASHION
F53	BLACK VAOF053B	Black F53 sunglasses
NEW ALIANTE	BLACK VAOFALB	NEW ALIANTE SUNGLASSES BLACK
NEW ALIANTE	WHITE VAOFALW	SUNGLASSES NEW ALIANTE WHITE

! ALWAYS PROVIDE THE SERIAL NUMBER OR TYPE OF BOAT PROVIDE ONLY THE CODE OF THE SPARE PARTS YOU NEED